

# Customer Information Sheet

DRAWING No.: M22-254XXXX

SHEET 2 OF 2

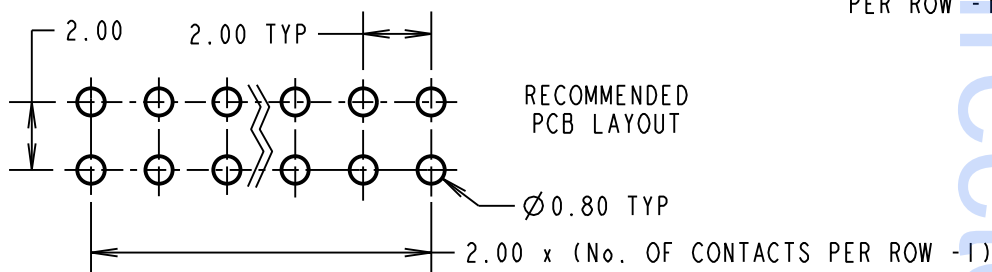
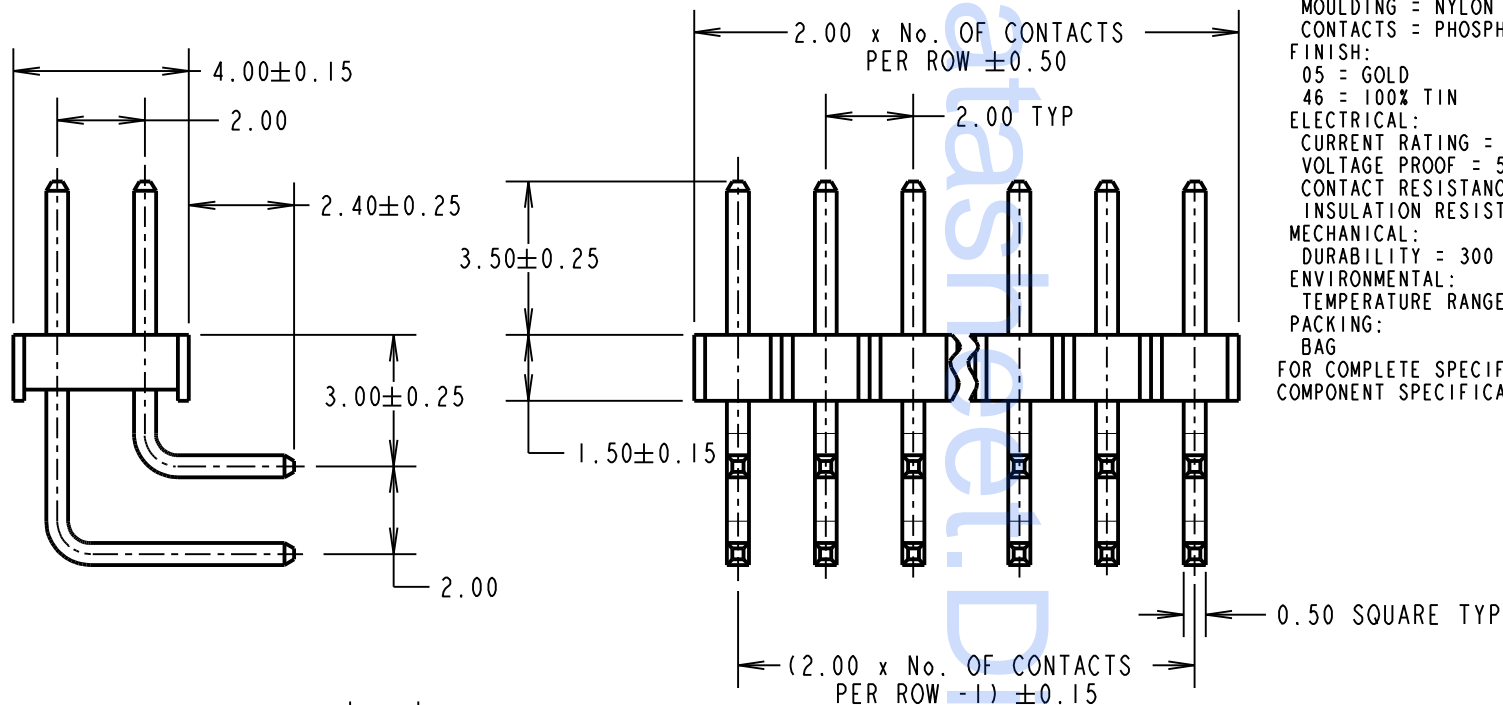
IF IN DOUBT - ASK

(C)

NOT TO SCALE

THIRD ANGLE PROJECTION

ALL DIMENSIONS IN mm



RECOMMENDED  
PCB LAYOUT

Ø 0.80 TYP

2.00 x (No. OF CONTACTS PER ROW - 1)

NOTES:  
1. ALL TOLERANCES ARE ±0.20 UNLESS OTHERWISE STATED.

**SPECIFICATIONS:**

**MATERIAL:**

MOULDING = NYLON 6T, UL94V-0, BLACK  
CONTACTS = PHOSPHOR BRONZE

**FINISH:**

05 = GOLD  
46 = 100% TIN

**ELECTRICAL:**

CURRENT RATING = 2A  
VOLTAGE PROOF = 500V AC  
CONTACT RESISTANCE = 20mΩ MAX  
INSULATION RESISTANCE = 1,000MΩ MIN

**MECHANICAL:**

DURABILITY = 300 OPERATIONS (GOLD), 50 OPERATIONS (TIN)

**ENVIRONMENTAL:**

TEMPERATURE RANGE = -55°C TO +105°C

**PACKING:**

BAG

FOR COMPLETE SPECIFICATION, SEE  
COMPONENT SPECIFICATION C018XX (LATEST ISSUE)

ORDER CODE:

**M22-254XXXX**

No. OF CONTACTS PER ROW:  
02 TO 20

FINISH:

05 - GOLD OVER NICKEL  
46 = 100% TIN OVER NICKEL

MSP	6	15.06.15	12803
NAME	ISS.	DATE	C/NOTE
APPROVED:		M.PERREN	
CHECKED:		S.BENNETT	
DRAWN:		A. G. LIOTTA	
CUSTOMER REF.:			
ASSEMBLY DRG:			

**HARWIN**

www.harwin.com  
technical@harwin.com

THIS DRAWING AND ANY  
INFORMATION OR DESCRIPTIVE  
MATTER SET OUT HEREON ARE  
CONFIDENTIAL AND COPYRIGHT  
PROPERTY OF THE HARWIN  
GROUP AND MUST NOT BE  
DISCLOSED, LOANED, COPIED  
OR USED FOR MANUFACTURING,  
TENDERING OR FOR ANY  
OTHER PURPOSE WITHOUT  
THEIR WRITTEN PERMISSION.

**TOLERANCES**

~~X. = ±1mm~~  
~~X.X = ±0.50mm~~  
~~X.XX = ±0.10mm~~  
~~X.XXX = ±0.01mm~~  
ANGLES = ±5  
UNLESS STATED

**MATERIAL:**

SEE ABOVE

FINISH: SEE ABOVE

S/AREA: mm<sup>2</sup>

**TITLE:**

2.00mm PITCH DIL  
HORIZONTAL PC TAIL PIN HDR

DRAWING NUMBER:

**M22-254XXXX**

SHT  
2  
OF  
2

# Mouser Electronics

Authorized Distributor

Click to View Pricing, Inventory, Delivery & Lifecycle Information:

## Harwin:

[M22-2541705](#) [M22-2541505](#) [M22-2541105](#) [M22-2541905](#) [M22-2540405](#) [M22-2540805](#) [M22-2540605](#) [M22-2540205](#) [M22-2540905](#) [M22-2540505](#) [M22-2540305](#) [M22-2540705](#) [M22-2542005](#) [M22-2541605](#) [M22-2541205](#) [M22-2541805](#) [M22-2541005](#) [M22-2541405](#) [M22-2541305](#) [M22-2540246](#) [M22-2540346](#) [M22-2540446](#) [M22-2540546](#) [M22-2540646](#) [M22-2540746](#) [M22-2540846](#) [M22-2540946](#) [M22-2541046](#) [M22-2541146](#) [M22-2541246](#) [M22-2541346](#) [M22-2541446](#) [M22-2541546](#) [M22-2541646](#) [M22-2541746](#) [M22-2541846](#) [M22-2541946](#) [M22-2542046](#)