

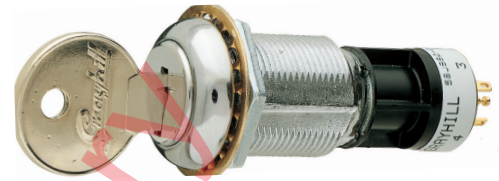
**SERIES 58**  
Single Deck, Antistatic

**LOCK FEATURES**

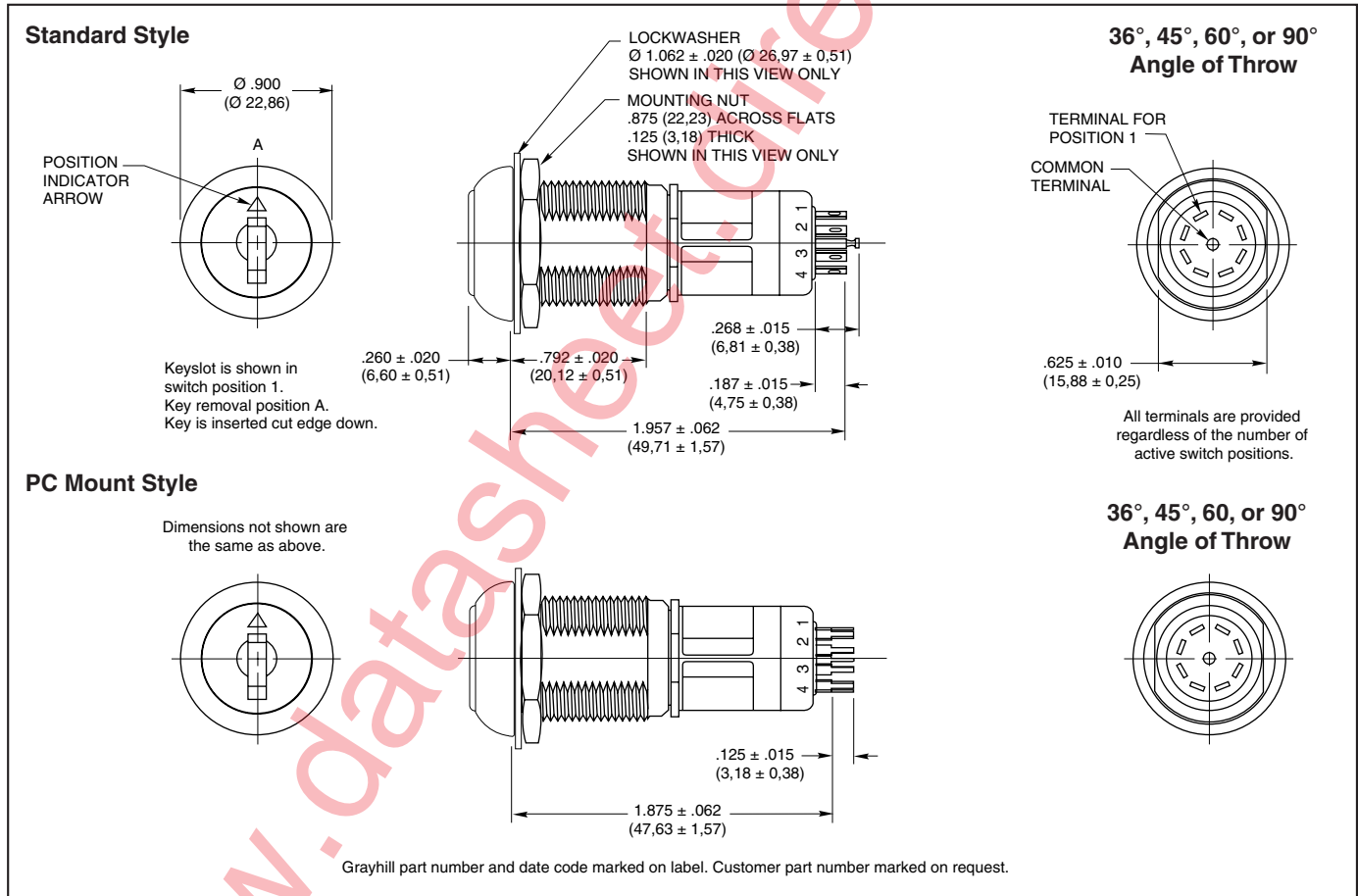
- Minimum Space Behind Panel
- 15,000 Vdc Static Protection
- 5 Tumbler-Plate Security
- In-Panel Key Recoding

**SWITCH FEATURES**

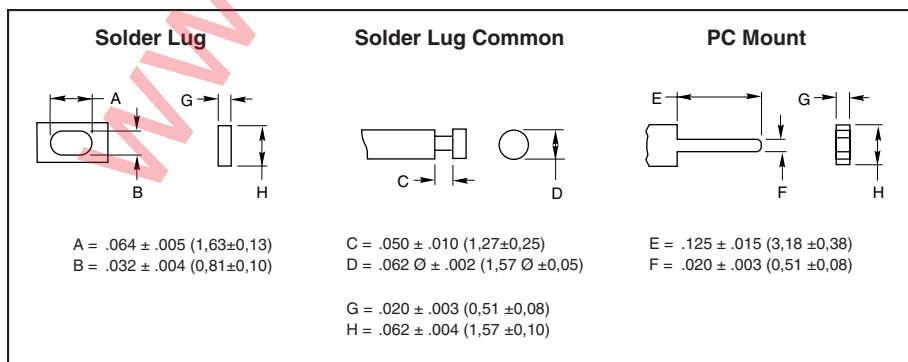
- Economical
- Solder Lug or PC Mount
- 36°, 45°, 60°, or 90° Throws
- 1 or 2 Poles Per Switch
- Up to 10 Positions for 1 Pole
- 200 mA for 25,000 Cycles



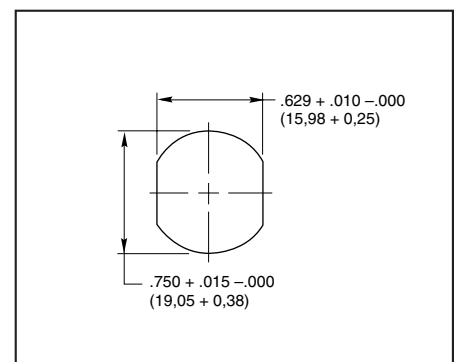
**DIMENSIONS** in inches (and millimeters)



**TERMINAL DETAIL**



**RECOMMENDED PANEL CUT**



**CIRCUITRY**



Rotary Switches

**LOCK SPECIFICATIONS**

**General Characteristics**

**Mounting:** By bushing, nut and lockwasher

**Keying:** All locks keyed alike except by special order

**Orientation of Keylock Switch:** Lock flats on both sides with key upright (cut side down) in position 1.

**Key Removals:**

- 36° Throw Switch At every position or At 0° & 180°
- 45° Throw Switch At every position or At 0°, 90°, 180°, 270°
- 60° Throw Switch At every position or At 0°, 180°
- 90° Throw Switch At every position or At 0°, 180°

*Optional pulls Contact Grayhill*

**Materials & Finishes**

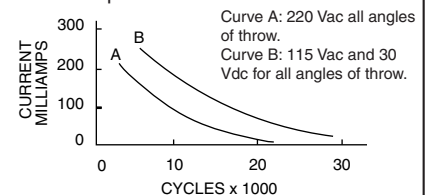
- Keys:** Brass; 2 supplied
- Lock Barrel & Plug:** Zinc, clear chromate
- Lockwasher:** Steel, tin zinc plated
- Mounting Nut:** Steel, nickel-plated
- Tumbler Plates:** Brass

**SWITCH SPECIFICATIONS**

**Electrical Characteristics**

Chart is shown for non-shorting contacts and resistive load and for the life limiting criteria indicated below. The data for the curve was measured at sea level, 25°C and 68% relative humidity. Contact Grayhill for more information

if any of the following is true: life limiting criteria are more critical than those listed; more cycles of operation are required; a larger make and break current is required; the operating environment includes elevated temperatures or reduced pressures.



## SWITCH SPECIFICATIONS *Continued*

|  |  |  |
|--|--|--|
| <p><b>Contact Resistance:</b><br/>Initially: less than 10 mΩ<br/>End of life: less than 50 mΩ</p> <p><b>Insulation Resistance:</b> (Between mutually insulated parts)<br/>Initially: 50,000 MΩ<br/>Minimum: 10,000 MΩ</p> <p><b>Breakdown Voltage:</b> (Between mutually insulated parts) more than 600 Vac</p> <p><b>Life Expectancy:</b> Per chart; cycle is 1 rotation thru all active positions plus a full return.</p> <p><b>Carry Current:</b> 6A; maximum temperature rise 20°C</p> | <p><b>Anti-Static Voltage:</b> Anti-static types tested to withstand 15,000 Vdc</p> <p><b>Mechanical Characteristics</b><br/><b>Switching Mode:</b> Shorting (make before break) or non-shorting (break before make) as limited by the Choices chart</p> <p><b>Type of Contact:</b> Wiping</p> <p><b>Number of Terminals:</b> All switches are provided with the full circle of terminals regardless of the number of active positions</p> <p><b>Stop Strength:</b> 1.70 Nm maximum (15.0 in-lbs)</p> <p><b>Switching Torque:</b> 8 to 16 in-ozs</p> | <p><b>Materials and Finishes</b><br/><b>Switch Base:</b> Thermoset plastic<br/><b>Switch Housing:</b> Nylon<br/><b>Detent Rotor:</b> Nylon<br/><b>Detent Balls:</b> Steel, nickel-plated<br/><b>Detent Springs, and Contact Springs:</b> Stainless steel<br/><b>Common Ring:</b> Brass, gold plate over silver plate<br/><b>Terminals:</b> Brass, gold over silver and nickel plate<br/><b>Rotor Contact:</b> Precious metal, gold alloy</p> |
|--|--|--|

## CHOICES AND LIMITATIONS

| Lock Style and Description*   | Switch Style and Description                                      | Angle of Throw | No. Of Decks | Poles/ Deck | Positions Per Pole** | Shorting or Non-Shrtg. |
|---|---|----------------|--------------|-------------|----------------------|------------------------|
| <b>Series 58J Switches</b>  |   |                |              |             |                      |                        |
| <b>J4: Standard—Key pulls at Position 1 and at 90 Degree Increments</b> | <b>A</b> = Standard, Solder Lugs<br><b>P</b> = Standard, PC Mount | 45°            | 1            | 1<br>2      | 02 to 08<br>02 to 04 | N or S<br>N or S       |
|   |   | 36°            | 1            | 1<br>2      | 02 to 10<br>02 to 05 | N or S<br>N or S       |
| <b>J8: Standard—Key Pulls at Each Position</b>                          | <b>A</b> = Standard, Solder Lugs<br><b>P</b> = Standard, PC Mount | 45°            | 1            | 1<br>2      | 02 to 08<br>02 to 04 | N or S<br>N or S       |
|   |   | 90°            | 1            | 1<br>2      | 02 to 04<br>02       | N<br>N                 |
|   |   | 36°            | 1            | 1<br>2      | 02 to 10<br>02 to 05 | N or S<br>N or S       |
| <b>J9: Standard—Key Pulls at Position 1 and at 180 Degrees</b>          | <b>A</b> = Standard, Solder Lugs<br><b>P</b> = Standard, PC Mount | 45°            | 1            | 1<br>2      | 02 to 08<br>02 to 04 | N or S<br>N or S       |
|   |   | 60°            | 1            | 1<br>2      | 02 to 06<br>02 to 03 | N<br>N                 |
|   |   | 90°            | 1            | 1<br>2      | 02 to 04<br>02       | N<br>N                 |
|   |   | 36°            | 1            | 1<br>2      | 02 to 10<br>02 to 05 | N or S<br>N or S       |

\*Standard Keylock has anti-static protection. All keylock versions available without anti-static protection, with a reduced overall body length. Contact Grayhill for more information.

\*\*For single pole switches with maximum positions, specify continuous rotation or fixed stop when ordering.

## ORDERING INFORMATION

|  |  |
|--|--|
|  | <p><b>Series</b><br/><b>Lock Style:</b> per Choices Chart J4, J8, J9<br/><b>Switch Style:</b> per Choices Chart A or P<br/><b>Angle of Throw:</b> 36, 45, 60 or 90 (per Choices chart)<br/><b>Number of Decks:</b> 01<br/><b>Poles per Deck:</b> = 1 or 2 (per Choices chart)<br/><b>Positions per Pole:</b> 02 thru 10 (per Choices chart)<br/><b>Type of Contacts:</b> (per Choices chart)<br/>N = Non-shorting<br/>S = Shorting<br/><b>Stop Arrangement Suffix:</b><br/>(needed only for 1-pole switches with maximum positions)<br/>F = Fixed stop between last and first positions<br/>*Leave blank for continuous rotation</p> |
|--|--|

**58J8A36-01-1-10N-F**

**Available from your local Grayhill Distributor.** For prices and discounts, contact a local Sales Office, an authorized local Distributor or Grayhill.

# Mouser Electronics

Authorized Distributor

Click to View Pricing, Inventory, Delivery & Lifecycle Information:

## Grayhill:

[58J9A60-01C03N](#) [58J9A90-01B03N](#) [58J4A45-01B04S](#) [58J9A90-01A04N](#) [58J8P36-01B10N](#) [58J8A36-01B10S](#)  
[58J9A45-01B03N](#) [58J9A36-01B09N](#) [58J4P45-01A08N](#) [58J9P36-01B09N](#) [58J8A45-01B06S](#) [58J4A45-01B07N](#)  
[58J8P45-01B05N](#) [58J9P36-01B08N](#) [58J8A36-01B05S](#) [58J8A90-01B04N](#) [58J8A45-01B03N](#) [58J9P36-01B05N](#)  
[58J9P36-01C05N](#) [58J8A45-01A08S](#) [58J9A36-01C05N](#) [58J9A36-01B04N](#) [58J8P36-01C02S](#) [58J8A36-01B08S](#)  
[58J9A36-01B05S](#) [58J9A45-01C02N](#) [58J8P36-01A10S](#) [58J9A36-01C03N](#) [58J4A45-01B04N](#) [58J9A90-01B04N](#)  
[58J4P45-01B07N](#) [58J8P45-01B04N](#) [58J8P36-01B08N](#) [58J9A36-01B03S](#) [58J9P36-01B10S](#) [58J9A60-01B04N](#)  
[58J8P90-01C02N](#) [58J9A45-01C03S](#) [58J8A36-01C03N](#) [58J9P36-01C04S](#) [58J8A45-01B06N](#) [58J8A36-01B10N](#)  
[58J9P36-01C03N](#) [58J9A36-01C04S](#) [58J4P45-01B04N](#) [58J8A36-01B07N](#) [58J9A36-01B07N](#) [58J8A36-01B05N](#)  
[58J8P36-01B06N](#) [58J4P45-01B03N](#) [58J9P36-01B06S](#) [58J8A45-01C04S](#) [58J8P36-01B03N](#) [58J8A45-01A08N](#)  
[58J9P36-01B04S](#) [58J9P36-01A10S](#) [58J4A45-01A08N](#) [58J8P90-01B04N](#) [58J4P45-01C03N](#) [58J8A36-01B06S](#)  
[58J4A45-01B03N](#) [58J9A45-01B02N](#) [58J9P36-01B08S](#) [58J8P36-01C02N](#) [58J8P90-01B02N](#) [58J8P36-01B04S](#)  
[58J8A45-01B04N](#) [58J8A36-01C02S](#) [58J9A36-01A10S](#) [58J8P36-01B07S](#) [58J9A36-01C04N](#) [58J8A36-01B03N](#)  
[58J9P36-01B06N](#) [58J8P36-01C03S](#) [58J4P45-01B06N](#) [58J8A36-01B08N](#) [58J8A36-01C04N](#) [58J9A36-01C05S](#)  
[58J9A36-01B04S](#) [58J8P36-01B09N](#) [58J8A36-01B09S](#) [58J8P36-01B02S](#) [58J4A45-01C03N](#) [58J8P36-01C05N](#)  
[58J8A36-01C05S](#) [58J9P36-01B04N](#) [58J4P45-01B05N](#) [58J8A45-01B07N](#) [58J9A45-01B04N](#) [58J9A36-01B08N](#)  
[58J9A90-01B02N](#) [58J8A45-01C03S](#) [58J8P36-01B02N](#) [58J8A36-01B07S](#) [58J8A45-01B03S](#) [58J9P36-01B02N](#)  
[58J9A36-01B10N](#) [58J9A36-01B06N](#) [58J8P36-01B07N](#) [58J8P36-01B03S](#)