

QTLP610C-R Red

QTLP610C-E Orange

QTLP610C-O Yellow-Orange

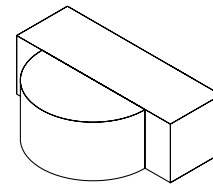
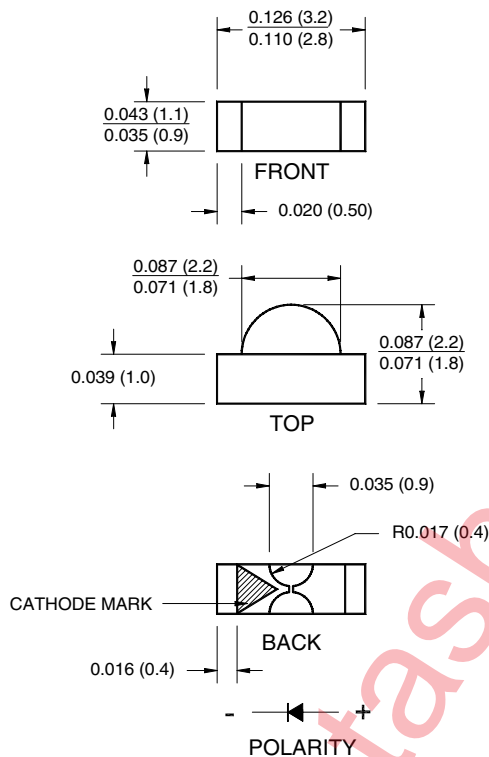
QTLP610C-Y Yellow

QTLP610C-AG Yellow-Green

QTLP610C-IG True Green

QTLP610C-IB Blue

### PACKAGE DIMENSIONS



NOTE:

Dimensions for all drawings are in inches (mm).

### APPLICATIONS

- LCD edge-lighting
- Edge card edge-lighting

### DESCRIPTION

These super bright right angle surface mount chip LEDs emit light in the lateral direction. Small size and wide viewing angle make these LEDs ideal choices for status indication in consumer electronics, industrial control and other applications.

### FEATURES

- Small footprint - 3.0(L) X 2.0(W) X 1.0(H) mm
- AlInGaP technology for -R, -E, -O, -Y and -AG
- InGaN/SiC technology for -IG and -IB
- Wide viewing angle of 120°
- Water clear optics
- Available in 0.315" (8mm) width tape on 7" (178mm) diameter reel; 2,000 units per reel

# SURFACE MOUNT LED LAMP

## SUPER BRIGHT RIGHT ANGLE

**QTLP610C-R** Red

**QTLP610C-E** Orange

**QTLP610C-O** Yellow-Orange

**QTLP610C-Y** Yellow

**QTLP610C-AG** Yellow-Green

**QTLP610C-IG** True Green

**QTLP610C-IB** Blue

**ABSOLUTE MAXIMUM RATINGS** ( $T_A = 25^\circ\text{C}$  Unless otherwise specified)

Parameter	Symbol	QTLP610C					Units
		-R	-E	-O	-Y	-AG	
Continuous Forward Current	$I_F$	30	30	30	25	30	mA
Peak Forward Current ( $f = 1.0$ KHz, Duty Factor = 1/10)	$I_{FM}$	160	160	160	120	160	mA
Reverse Voltage ( $I_R = 10 \mu\text{A}$ )	$V_R$	5	5	5	5	5	V
Power Dissipation	$P_D$	72	72	72	60	72	mW
Operating Temperature	$T_{OPR}$	-40 to +85					$^\circ\text{C}$
Storage Temperature	$T_{STG}$	-40 to +90					$^\circ\text{C}$
Lead Soldering Time	$T_{SOL}$	260 for 5 sec					$^\circ\text{C}$

**ABSOLUTE MAXIMUM RATINGS** ( $T_A = 25^\circ\text{C}$  Unless otherwise specified)

Parameter	Symbol	QTLP610C		Units
		-IB	-IG	
Continuous Forward Current	$I_F$	30	30	mA
Peak Forward Current ( $f = 1.0$ KHz, Duty Factor = 1/10)	$I_{FM}$	100	100	mA
Reverse Voltage ( $I_R = 10 \mu\text{A}$ )	$V_R$	5	5	V
Power Dissipation	$P_D$	120	120	mW
Operating Temperature	$T_{OPR}$	-40 to +85		$^\circ\text{C}$
Storage Temperature	$T_{STG}$	-40 to +90		$^\circ\text{C}$
Lead Soldering Time	$T_{SOL}$	260 for 5 sec		$^\circ\text{C}$

# SURFACE MOUNT LED LAMP

## SUPER BRIGHT RIGHT ANGLE

QTLP610C-R Red

QTLP610C-E Orange

QTLP610C-O Yellow-Orange

QTLP610C-Y Yellow

QTLP610C-AG Yellow-Green

QTLP610C-IG True Green

QTLP610C-IB Blue

### ELECTRICAL / OPTICAL CHARACTERISTICS (T<sub>A</sub> =25°C)

Part Number	Symbol	QTLP610C					Condition
		-R	-E	-O	-Y	-AG	
Luminous Intensity (mcd)	I <sub>V</sub>	20	20	20	20	10	I <sub>F</sub> = 20mA
Minimum		45	45	45	45	20	
Forward Voltage (V)	V <sub>F</sub>	2.4	2.4	2.4	2.4	2.4	I <sub>F</sub> = 20mA
Maximum		2.0	2.0	2.0	2.0	2.0	
Wavelength (nm)	λ <sub>P</sub>	630	620	610	590	575	I <sub>F</sub> = 20mA
Peak		624	615	605	589	573	
Dominant	λ <sub>D</sub>	20	18	18	15	20	I <sub>F</sub> = 20mA
Spectral Line Half Width (nm)	Δλ	120	120	120	120	120	I <sub>F</sub> = 20mA
Viewing Angle (°)	2Θ <sub>1/2</sub>						I <sub>F</sub> = 20mA

### ELECTRICAL / OPTICAL CHARACTERISTICS (T<sub>A</sub> =25°C)

Part Number	Symbol	QTLP610C		Condition
		-IB	-IG	
Luminous Intensity (mcd)	I <sub>V</sub>	20	60	I <sub>F</sub> = 20mA
Minimum		30	100	
Forward Voltage (V)	V <sub>F</sub>	4.0	4.0	I <sub>F</sub> = 20mA
Maximum		3.5	3.5	
Wavelength (nm)	λ <sub>P</sub>	465	520	I <sub>F</sub> = 20mA
Peak		470	525	
Dominant	λ <sub>D</sub>	25	35	I <sub>F</sub> = 20mA
Spectral Line Half Width (nm)	Δλ	120	120	I <sub>F</sub> = 20mA
Viewing Angle (°)	2Θ <sub>1/2</sub>			I <sub>F</sub> = 20mA

QTLP610C-R Red

QTLP610C-E Orange

QTLP610C-O Yellow-Orange

QTLP610C-Y Yellow

QTLP610C-AG Yellow-Green

QTLP610C-IG True Green

QTLP610C-IB Blue

### TYPICAL PERFORMANCE CURVES (QTLP610C-R, -E, -O, -Y and -AG)

Fig. 1 Forward Current vs. Forward Voltage

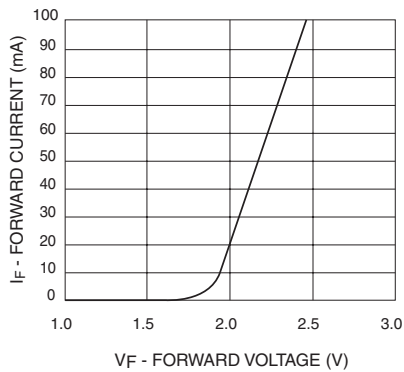


Fig. 2 Relative Luminous Intensity vs. DC Forward Current

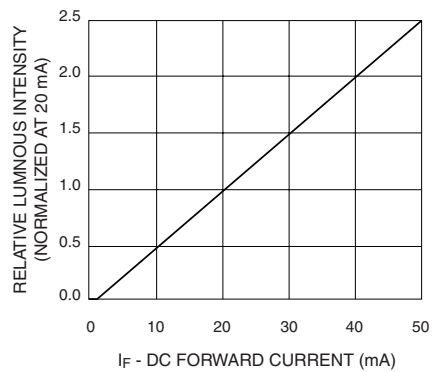


Fig. 3 Relative Intensity vs. Peak Wavelength

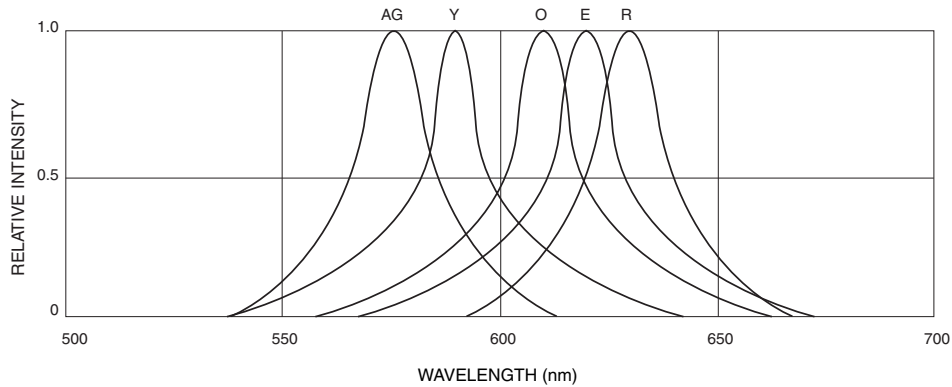


Fig. 4 Radiation Diagram

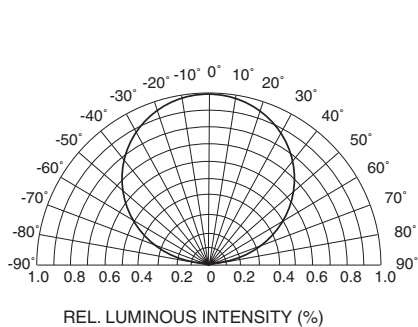
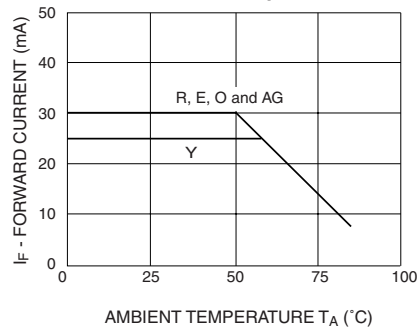


Fig. 5 Maximum Forward Current vs. Ambient Temperature



QTLP610C-R Red

QTLP610C-E Orange

QTLP610C-O Yellow-Orange

QTLP610C-Y Yellow

QTLP610C-AG Yellow-Green

QTLP610C-IG True Green

QTLP610C-IB Blue

### TYPICAL PERFORMANCE CURVES (QTLP610C-IG and -IB)

Fig. 1 Forward Current vs. Forward Voltage

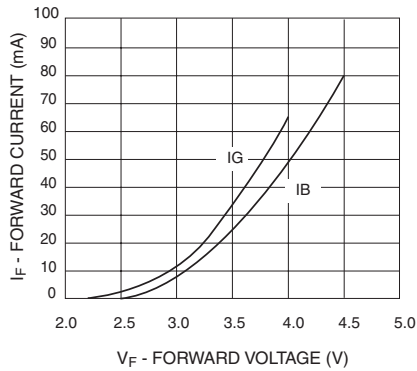


Fig. 2 Relative Luminous Intensity vs. DC Forward Current

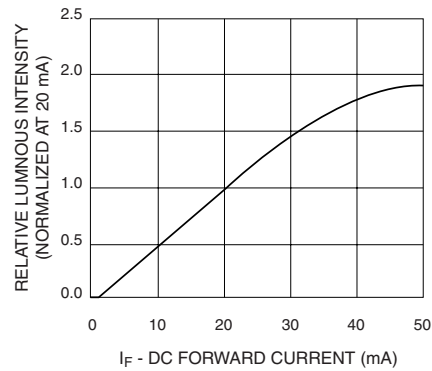


Fig. 3 Relative Intensity vs. Peak Wavelength

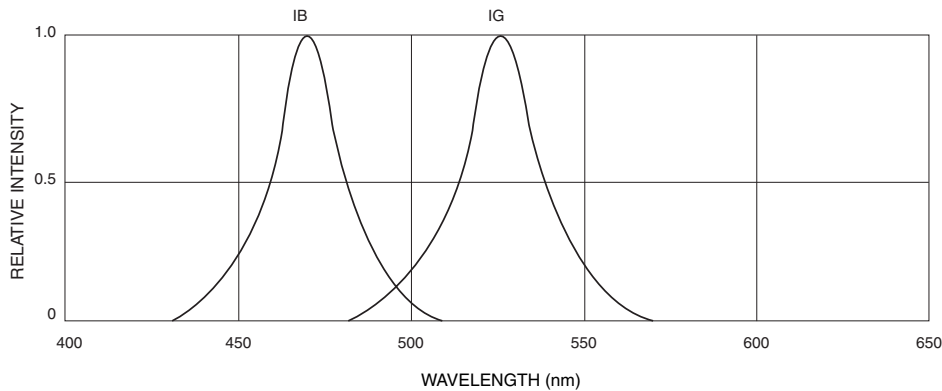


Fig. 4 Radiation Diagram

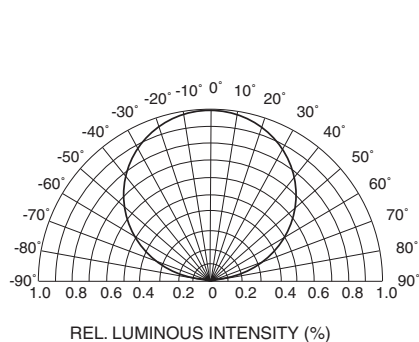
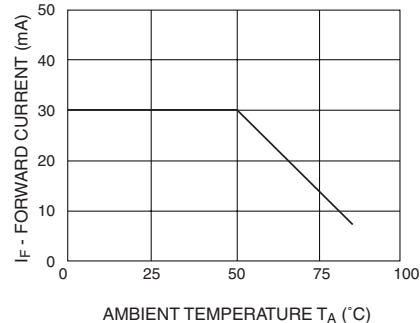


Fig. 5 Maximum Forward Current vs. Ambient Temperature



# SURFACE MOUNT LED LAMP SUPER BRIGHT RIGHT ANGLE

QTLP610C-R Red

QTLP610C-E Orange

QTLP610C-O Yellow-Orange

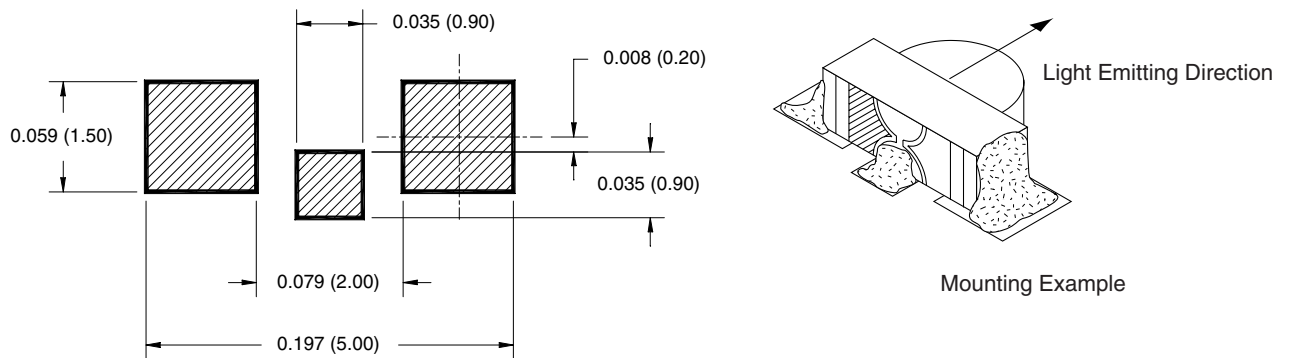
QTLP610C-Y Yellow

QTLP610C-AG Yellow-Green

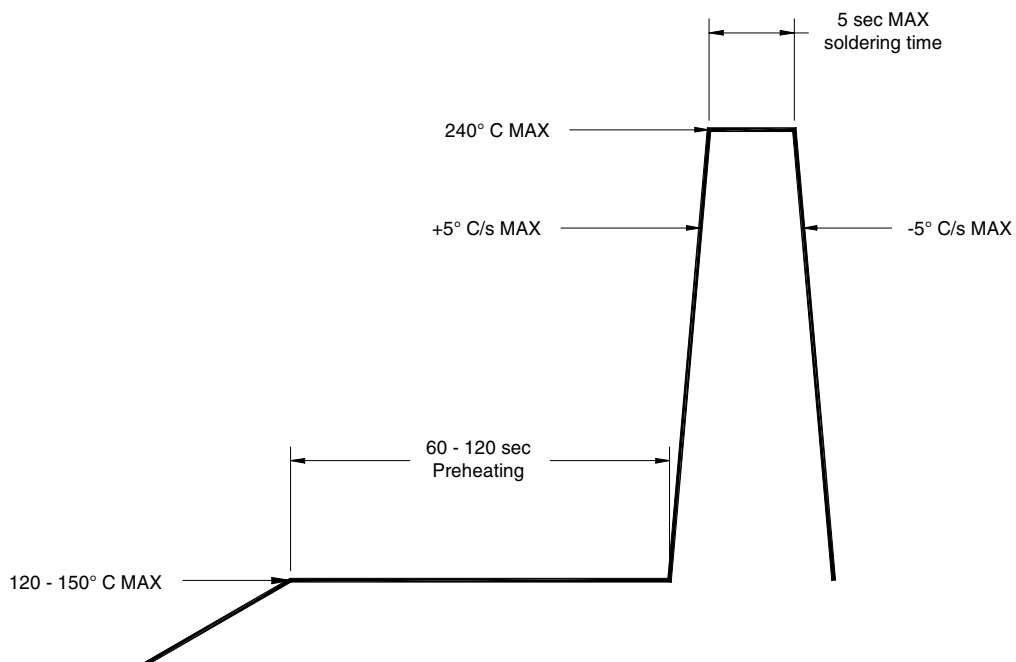
QTLP610C-IG True Green

QTLP610C-IB Blue

## RECOMMENDED PRINTED CIRCUIT BOARD PATTERN



## RECOMMENDED IR REFLOW SOLDERING PROFILE



QTLP610C-R Red

QTLP610C-E Orange

QTLP610C-O Yellow-Orange

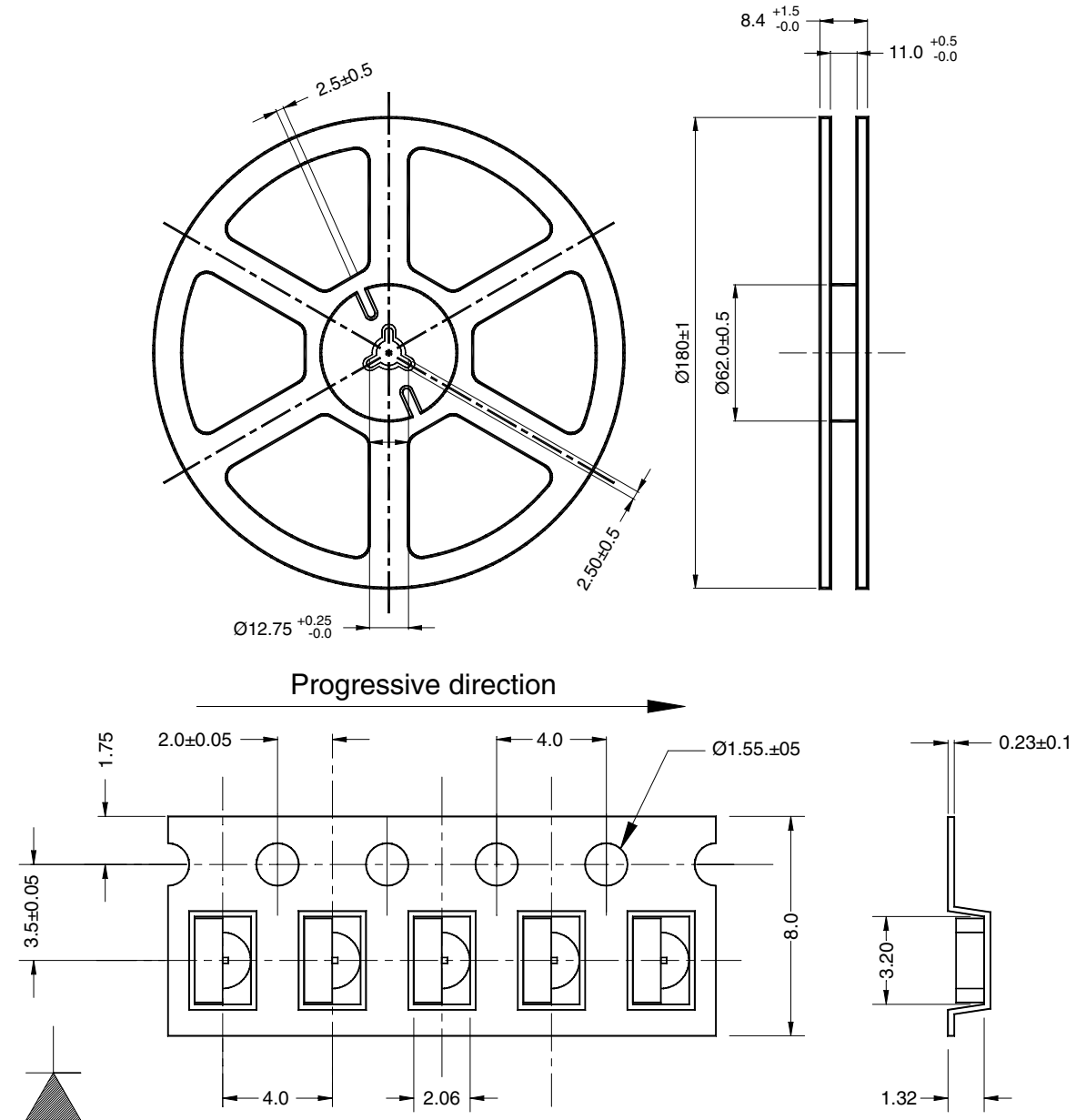
QTLP610C-Y Yellow

QTLP610C-AG Yellow-Green

QTLP610C-IG True Green

QTLP610C-IB Blue

### TAPE AND REEL DIMENSIONS



Polarity

Dimensional tolerance is  $\pm 0.1$ mm unless otherwise specified

Angle:  $\pm 0.5$

Unit: mm

---

**QTLP610C-R** Red

**QTLP610C-E** Orange

**QTLP610C-O** Yellow-Orange

**QTLP610C-Y** Yellow

**QTLP610C-AG** Yellow-Green

**QTLP610C-IG** True Green

**QTLP610C-IB** Blue

---

### DISCLAIMER

FAIRCHILD SEMICONDUCTOR RESERVES THE RIGHT TO MAKE CHANGES WITHOUT FURTHER NOTICE TO ANY PRODUCTS HEREIN TO IMPROVE RELIABILITY, FUNCTION OR DESIGN. FAIRCHILD DOES NOT ASSUME ANY LIABILITY ARISING OUT OF THE APPLICATION OR USE OF ANY PRODUCT OR CIRCUIT DESCRIBED HEREIN; NEITHER DOES IT CONVEY ANY LICENSE UNDER ITS PATENT RIGHTS, NOR THE RIGHTS OF OTHERS.

### LIFE SUPPORT POLICY

FAIRCHILD'S PRODUCTS ARE NOT AUTHORIZED FOR USE AS CRITICAL COMPONENTS IN LIFE SUPPORT DEVICES OR SYSTEMS WITHOUT THE EXPRESS WRITTEN APPROVAL OF THE PRESIDENT OF FAIRCHILD SEMICONDUCTOR CORPORATION. As used herein:

1. Life support devices or systems are devices or systems which, (a) are intended for surgical implant into the body, or (b) support or sustain life, and (c) whose failure to perform when properly used in accordance with instructions for use provided in labeling, can be reasonably expected to result in a significant injury of the user.
2. A critical component in any component of a life support device or system whose failure to perform can be reasonably expected to cause the failure of the life support device or system, or to affect its safety or effectiveness.



Fairchild Semiconductor

SEARCH | [Parametric](#) | [Cross Reference](#)

space

Product Folders and

Applies

find products

[Home](#) >> [Find products](#) >>[Products groups](#)[Analog and Mixed](#)[Signal](#)[Discrete](#)[Interface](#)[Logic](#)[Microcontrollers](#)[Non-Volatile](#)[Memory](#)[Optoelectronics](#)[Markets and](#)[applications](#)[New products](#)[Product selection and](#)[parametric search](#)[Cross-reference](#)[search](#)

## QTLP610C-O

Product information

Contents

[General description](#) | [Features](#) | [Applications](#) |[Product status/pricing/packaging](#)

## General description

These super bright right angle surface mount chip LEDs emit light in the lateral direction. Small size and wide viewing angle make these LEDs ideal choices for status indication in consumer electronics, industrial control and other applications.

[back to top](#)

## Features

- Small footprint - 3.0(L) x 2.0(W) x 1.0(H) mm
- AllnGaP technology for -R, -E, -O, -Y and -AG
- InGaN/SiC technology for -IG and -IB
- Wide viewing angle of 120°
- Water clear optics
- Available in 0.315-inch (8 mm) width tape on 7-inch (178 mm) diameter reel; 2,000 units per reel

[back to top](#)

## Applications

- LCD edge-lighting
- Edge card edge-lighting

[back to top](#)

## Related Links

[Request samples](#)[Dotted line](#)[How to order products](#)[Dotted line](#)[Product Change Notices](#)[\(PCNs\)](#)[Dotted line](#)[Support](#)[Dotted line](#)[Distributor and field sales](#)[representatives](#)[Dotted line](#)[Quality and reliability](#)[Dotted line](#)[Design tools](#)

Datasheet

[Download this](#)[datasheet](#)

PDF

[e-mail this datasheet](#)

[E-

This page

[Print version](#)

Product status/pricing/packaging

<b>Product</b>	<b>Product status</b>	<b>Pricing*</b>	<b>Package type</b>	<b>Packing method</b>
QTLP610COTR	Full Production	\$0.071	SMD, Right Angle	TAPE REEL

\* 1,000 piece Budgetary Pricing

[back to top](#)

[Home](#) | [Find products](#) | [Technical information](#) | [Buy products](#) | [Support](#) | [Company](#) | [Contact us](#) | [Site index](#) | [Privacy policy](#)

© Copyright 2002 Fairchild Semiconductor

Fairchild Semiconductor

SEARCH | [Parametric](#) | [Cross Reference](#)[space](#)[Product Folders and](#)[Applies](#)[find products](#)[Home](#) >> [Find products](#) >>[Products groups](#)[Analog and Mixed](#)[Signal](#)[Discrete](#)[Interface](#)[Logic](#)[Microcontrollers](#)[Non-Volatile](#)[Memory](#)[Optoelectronics](#)[Markets and](#)[applications](#)[New products](#)[Product selection and](#)[parametric search](#)[Cross-reference](#)[search](#)

## QTLP610C-R

Red Surface Mount LED Lamp - Super Bright  
Right Angle

## Contents

[General description](#) | [Features](#) | [Applications](#) |  
[Product status/pricing/packaging](#)

## Datasheet

[Download this  
datasheet](#)[PDF](#)[e-mail this datasheet](#)[\[E-](#)

This page

[Print version](#)

## Related Links

[Request samples](#)[Dotted line](#)[How to order products](#)[Dotted line](#)[Product Change Notices  
\(PCNs\)](#)[Dotted line](#)[Support](#)[Dotted line](#)[Distributor and field sales  
representatives](#)[Dotted line](#)[Quality and reliability](#)[Dotted line](#)[Design tools](#)

## General description

These super bright right angle surface mount chip LEDs emit light in the lateral direction. Small size and wide viewing angle make these LEDs ideal choices for status indication in consumer electronics, industrial control and other applications.

[back to top](#)

## Features

- Small footprint - 3.0(L) x 2.0(W) x 1.0(H) mm
- AllnGaP technology for -R, -E, -O, -Y and -AG
- InGaN/SiC technology for -IG and -IB
- Wide viewing angle of 120°
- Water clear optics
- Available in 0.315-inch (8 mm) width tape on 7-inch (178 mm) diameter reel; 2,000 units per reel

[back to top](#)

## Applications

- LCD edge-lighting
- Edge card edge-lighting

[back to top](#)[technical information](#)[buy products](#)[technical support](#)[my Fairchild](#)[company](#)

Product status/pricing/packaging

<b>Product</b>	<b>Product status</b>	<b>Pricing*</b>	<b>Package type</b>	<b>Packing method</b>
QTLP610C-RAGTR	Full Production	\$0.159	SMD, Right Angle	TAPE REEL
QTLP610C-R.TR	Full Production	\$0.088	SMD, Right Angle	TAPE REEL

\* 1,000 piece Budgetary Pricing

[back to top](#)

[Home](#) | [Find products](#) | [Technical information](#) | [Buy products](#) |  
[Support](#) | [Company](#) | [Contact us](#) | [Site index](#) | [Privacy policy](#)

[© Copyright 2002 Fairchild Semiconductor](#)

Fairchild Semiconductor

SEARCH | Parametric | Cross Reference

space

Product Folders and

Applies

find products

Home >> Find products >>

Products groups

Analog and Mixed

Signal

Discrete

Interface

Logic

Microcontrollers

Non-Volatile

Memory

Optoelectronics

Markets and

applications

New products

Product selection and

parametric search

Cross-reference

search

QTLP610C-Y

Yellow Surface Mount LED Lamp - Super Bright Right Angle

Contents

[General description](#) | [Features](#) | [Applications](#) | [Product status/pricing/packaging](#)

Datasheet

[Download this datasheet](#)

PDF

[e-mail this datasheet](#)

[E-

This page

[Print version](#)

Related Links

[Request samples](#)

[Dotted line](#)

[How to order products](#)

[Dotted line](#)

[Product Change Notices \(PCNs\)](#)

[Dotted line](#)

[Support](#)

[Dotted line](#)

[Distributor and field sales representatives](#)

[Dotted line](#)

[Quality and reliability](#)

[Dotted line](#)

[Design tools](#)

General description

These super bright right angle surface mount chip LEDs emit light in the lateral direction. Small size and wide viewing angle make these LEDs ideal choices for status indication in consumer electronics, industrial control and other applications.

[back to top](#)

Features

- Small footprint - 3.0(L) x 2.0(W) x 1.0(H) mm
- AllnGaP technology for -R, -E, -O, -Y and -AG
- InGaN/SiC technology for -IG and -IB
- Wide viewing angle of 120°
- Water clear optics
- Available in 0.315-inch (8 mm) width tape on 7-inch (178 mm) diameter reel; 2,000 units per reel

[back to top](#)

Applications

- LCD edge-lighting
- Edge card edge-lighting

[back to top](#)

technical information

buy products

technical support

my Fairchild

company

Product status/pricing/packaging

<b>Product</b>	<b>Product status</b>	<b>Pricing*</b>	<b>Package type</b>	<b>Packing method</b>
QTLP610C-Y.TR	Full Production	\$0.088	SMD, Right Angle	TAPE REEL

\* 1,000 piece Budgetary Pricing

[back to top](#)

[Home](#) | [Find products](#) | [Technical information](#) | [Buy products](#) |  
[Support](#) | [Company](#) | [Contact us](#) | [Site index](#) | [Privacy policy](#)

[© Copyright 2002 Fairchild Semiconductor](#)

Fairchild Semiconductor

SEARCH | [Parametric](#) | [Cross Reference](#)

space

Product Folders and

Applies

find products

[Home](#) >> [Find products](#) >>[Products groups](#)[Analog and Mixed](#)[Signal](#)[Discrete](#)[Interface](#)[Logic](#)[Microcontrollers](#)[Non-Volatile](#)[Memory](#)[Optoelectronics](#)[Markets and](#)[applications](#)[New products](#)[Product selection and](#)[parametric search](#)[Cross-reference](#)[search](#)

## QTLP610C-IG

Product information

Contents

[General description](#) | [Features](#) | [Applications](#) |[Product status/pricing/packaging](#)

## General description

These super bright right angle surface mount chip LEDs emit light in the lateral direction. Small size and wide viewing angle make these LEDs ideal choices for status indication in consumer electronics, industrial control and other applications.

[back to top](#)

## Features

- Small footprint - 3.0(L) x 2.0(W) x 1.0(H) mm
- AllnGaP technology for -R, -E, -O, -Y and -AG
- InGaN/SiC technology for -IG and -IB
- Wide viewing angle of 120°
- Water clear optics
- Available in 0.315-inch (8 mm) width tape on 7-inch (178 mm) diameter reel; 2,000 units per reel

[back to top](#)

## Applications

- LCD edge-lighting
- Edge card edge-lighting

[back to top](#)

## Related Links

[Request samples](#)[Dotted line](#)[How to order products](#)[Dotted line](#)[Product Change Notices](#)[\(PCNs\)](#)[Dotted line](#)[Support](#)[Dotted line](#)[Distributor and field sales](#)[representatives](#)[Dotted line](#)[Quality and reliability](#)[Dotted line](#)[Design tools](#)

Datasheet

[Download this](#)[datasheet](#)

PDF

[e-mail this datasheet](#)

[E-

This page

[Print version](#)

Product status/pricing/packaging

<b>Product</b>	<b>Product status</b>	<b>Pricing*</b>	<b>Package type</b>	<b>Packing method</b>
QTLP610CIGTR	Full Production	\$0.65	SMD, Right Angle	TAPE REEL

\* 1,000 piece Budgetary Pricing

[back to top](#)

[Home](#) | [Find products](#) | [Technical information](#) | [Buy products](#) | [Support](#) | [Company](#) | [Contact us](#) | [Site index](#) | [Privacy policy](#)

© Copyright 2002 Fairchild Semiconductor



Fairchild Semiconductor

SEARCH | [Parametric](#) | [Cross Reference](#)[space](#)[Product Folders and](#)[Applies](#)

find products

[Home](#) >> [Find products](#) >>[Products groups](#)[Analog and Mixed](#)[Signal](#)[Discrete](#)[Interface](#)[Logic](#)[Microcontrollers](#)[Non-Volatile](#)[Memory](#)[Optoelectronics](#)[Markets and](#)[applications](#)[New products](#)[Product selection and](#)[parametric search](#)[Cross-reference](#)[search](#)

QTLP610C-IB

Product information

Contents

[General description](#) | [Features](#) | [Applications](#) | [Product status/pricing/packaging](#)

General description

These super bright right angle surface mount chip LEDs emit light in the lateral direction. Small size and wide viewing angle make these LEDs ideal choices for status indication in consumer electronics, industrial control and other applications.

[back to top](#)

Features

- Small footprint - 3.0(L) x 2.0(W) x 1.0(H) mm
- AllnGaP technology for -R, -E, -O, -Y and -AG
- InGaN/SiC technology for -IG and -IB
- Wide viewing angle of 120°
- Water clear optics
- Available in 0.315-inch (8 mm) width tape on 7-inch (178 mm) diameter reel; 2,000 units per reel

[back to top](#)

Applications

- LCD edge-lighting
- Edge card edge-lighting

[back to top](#)

Related Links

[Request samples](#)[Dotted line](#)[How to order products](#)[Dotted line](#)[Product Change Notices](#)[\(PCNs\)](#)[Dotted line](#)[Support](#)[Dotted line](#)[Distributor and field sales](#)[representatives](#)[Dotted line](#)[Quality and reliability](#)[Dotted line](#)[Design tools](#)

Datasheet

[Download this datasheet](#)[PDF](#)[e-mail this datasheet](#)[\[E-](#)

This page

[Print version](#)

Product status/pricing/packaging

<b>Product</b>	<b>Product status</b>	<b>Pricing*</b>	<b>Package type</b>	<b>Packing method</b>
QTLP610CIBTR	Full Production	\$0.54	SMD, Right Angle	TAPE REEL

\* 1,000 piece Budgetary Pricing

[back to top](#)

[Home](#) | [Find products](#) | [Technical information](#) | [Buy products](#) |  
[Support](#) | [Company](#) | [Contact us](#) | [Site index](#) | [Privacy policy](#)

---

[© Copyright 2002 Fairchild Semiconductor](#)

---

Fairchild Semiconductor

SEARCH | [Parametric](#) | [Cross Reference](#)[space](#)[Product Folders and](#)[Applies](#)[find products](#)[Home >> Find products >>](#)[Products groups](#)[Analog and Mixed](#)[Signal](#)[Discrete](#)[Interface](#)[Logic](#)[Microcontrollers](#)[Non-Volatile](#)[Memory](#)[Optoelectronics](#)[Markets and](#)[applications](#)[New products](#)[Product selection and](#)[parametric search](#)[Cross-reference](#)[search](#)

## QTLP610C-E

Orange Surface Mount LED Lamp - Super Bright Right Angle

## Contents

[General description](#) | [Features](#) | [Applications](#) | [Product status/pricing/packaging](#)

## General description

These super bright right angle surface mount chip LEDs emit light in the lateral direction. Small size and wide viewing angle make these LEDs ideal choices for status indication in consumer electronics, industrial control and other applications.

[back to top](#)

## Features

- Small footprint - 3.0(L) x 2.0(W) x 1.0(H) mm
- AllnGaP technology for -R, -E, -O, -Y and -AG
- InGaN/SiC technology for -IG and -IB
- Wide viewing angle of 120°
- Water clear optics
- Available in 0.315-inch (8 mm) width tape on 7-inch (178 mm) diameter reel; 2,000 units per reel

[back to top](#)

## Applications

- LCD edge-lighting
- Edge card edge-lighting

[back to top](#)

## Related Links

[Request samples](#)[Dotted line](#)[How to order products](#)[Dotted line](#)[Product Change Notices](#)[\(PCNs\)](#)[Dotted line](#)[Support](#)[Dotted line](#)[Distributor and field sales](#)[representatives](#)[Dotted line](#)[Quality and reliability](#)[Dotted line](#)[Design tools](#)

## Datasheet

[Download this](#)[datasheet](#)[PDF](#)[e-mail this datasheet](#)[\[E-](#)

This page

[Print version](#)

Product status/pricing/packaging

<b>Product</b>	<b>Product status</b>	<b>Pricing*</b>	<b>Package type</b>	<b>Packing method</b>
QTLP610C-E.TR	Full Production	\$0.088	SMD, Right Angle	TAPE REEL

\* 1,000 piece Budgetary Pricing

[back to top](#)

[Home](#) | [Find products](#) | [Technical information](#) | [Buy products](#) |  
[Support](#) | [Company](#) | [Contact us](#) | [Site index](#) | [Privacy policy](#)

---

[© Copyright 2002 Fairchild Semiconductor](#)

---

Fairchild Semiconductor

SEARCH | [Parametric](#) | [Cross Reference](#)[space](#)[Product Folders and](#)[Applies](#)[find products](#)[Home >> Find products >>](#)[Products groups](#)[Analog and Mixed](#)[Signal](#)[Discrete](#)[Interface](#)[Logic](#)[Microcontrollers](#)[Non-Volatile](#)[Memory](#)[Optoelectronics](#)[Markets and](#)[applications](#)[New products](#)[Product selection and](#)[parametric search](#)[Cross-reference](#)[search](#)

QTLP610C-AG

Product information

Contents

[General description](#) | [Features](#) | [Applications](#) | [Product status/pricing/packaging](#)

General description

These super bright right angle surface mount chip LEDs emit light in the lateral direction. Small size and wide viewing angle make these LEDs ideal choices for status indication in consumer electronics, industrial control and other applications.

[back to top](#)

Features

- Small footprint - 3.0(L) x 2.0(W) x 1.0(H) mm
- AllnGaP technology for -R, -E, -O, -Y and -AG
- InGaN/SiC technology for -IG and -IB
- Wide viewing angle of 120°
- Water clear optics
- Available in 0.315-inch (8 mm) width tape on 7-inch (178 mm) diameter reel; 2,000 units per reel

[back to top](#)

Applications

- LCD edge-lighting
- Edge card edge-lighting

[back to top](#)

Related Links

[Request samples](#)[Dotted line](#)[How to order products](#)[Dotted line](#)[Product Change Notices](#)[\(PCNs\)](#)[Dotted line](#)[Support](#)[Dotted line](#)[Distributor and field sales](#)[representatives](#)[Dotted line](#)[Quality and reliability](#)[Dotted line](#)[Design tools](#)

Datasheet

[Download this datasheet](#)[PDF](#)[e-mail this datasheet](#)[\[E-](#)

This page

[Print version](#)

Product status/pricing/packaging

<b>Product</b>	<b>Product status</b>	<b>Pricing*</b>	<b>Package type</b>	<b>Packing method</b>
QTLP610CAGTR	Full Production	\$0.115	SMD, Right Angle	TAPE REEL

\* 1,000 piece Budgetary Pricing

[back to top](#)

[Home](#) | [Find products](#) | [Technical information](#) | [Buy products](#) | [Support](#) | [Company](#) | [Contact us](#) | [Site index](#) | [Privacy policy](#)

© Copyright 2002 Fairchild Semiconductor