

0.240 Straight Connectors

Metal Shell D-Subs



Round Standoff (4-40 THD)

Plug		Receptacle		No. of Contacts	EACH		
Stock No.	Mfr.'s Type	Stock No.	Mfr.'s Type		1-24	25-99	100-499
515-2702	3-1437324-9	515-2704	6-1437320-0	9	3.25	2.84	2.60
515-2706	4-1437324-7	515-2708	7-1437320-0	15	4.04	3.52	3.23
515-2710	5-1437324-4	515-2712	8-1437320-3	25	4.61	4.02	3.69

Flush Threaded Insert (4-40 THD)

Plug		Receptacle		No. of Contacts	EACH		
Stock No.	Mfr.'s Type	Stock No.	Mfr.'s Type		1-24	25-99	100-499
515-2718	4-1437324-3	515-2720	6-1437320-4	9	3.17	2.76	2.53
515-2726	5-1437324-9	515-2728	8-1437320-6	25	4.38	3.82	3.50
515-2730	6-1437324-6	515-2732	9-1437320-6	37	5.31	4.64	4.25

Standard DIN Connectors

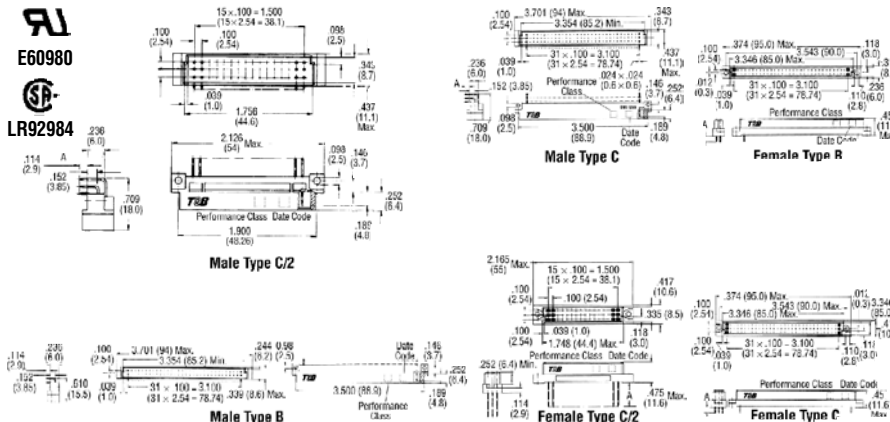
- Color: Gray
- Level 2 — 400 Mating Cycles
- Insulation Material: Glass Filled Thermoplastic Rated UL94V-0

Male Connectors

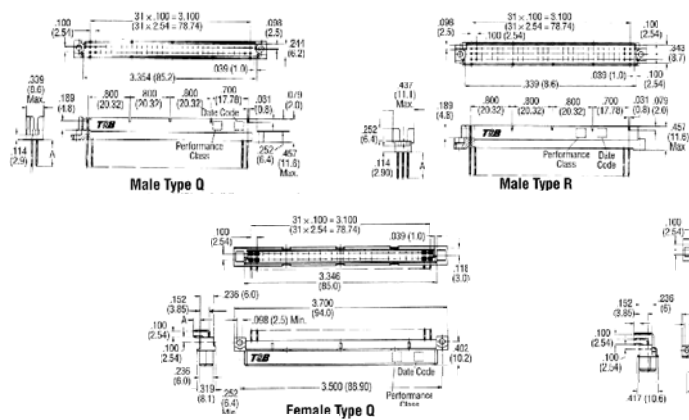
Stock No.	Mfr.'s Type	No. of Contacts	DIN Type	Dim. A	EACH		
					1-24	25-99	100-249
515-2734	3-1437081-8	48	C/2	0.114	2.40	2.10	1.77
515-2736	4-1437081-6	64	B	0.114	2.66	2.32	1.96
515-2804	2-1437082-6	64	C	0.114	2.06	1.80	1.52
515-2738	6-1437081-9	96	C	0.114	3.12	2.73	2.31

Female Connectors

Stock No.	Mfr.'s Type	No. of Contacts	DIN Type	Dim. A	EACH		
					1-24	25-99	100-249
515-2740	9-1437081-7	48	C/2	0.114	4.12	3.60	3.04
515-2742	1-1437082-2	64	B	0.114	3.44	3.00	2.54
515-2744	2-1437082-6	64	C	0.114	5.46	4.77	4.03
515-2746	4-1437082-2	96	C	0.114	3.68	3.21	2.71



8



E60980 LR92984

Inverse DIN Connectors

- Color: Gray
- Level 2 — 400 Mating Cycles
- Insulation Material: Glass Filled Thermoplastic Rated UL94V-0

Male Connectors

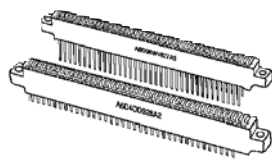
Stock No.	Mfr.'s Type	No. of Contacts	DIN Type	Dim. A	EACH		
					1-24	25-99	100-249
515-2748	7-1437082-3	64	Q	0.177	4.44	3.88	3.28
515-2752	8-1437082-4	96	R	0.177	4.61	4.02	3.41

Female Connectors

Stock No.	Mfr.'s Type	No. of Contact Pairs	DIN Type	Dim. A	EACH		
					1-24	25-99	100-249
515-2756	1437083-3	64	Q	0.114	8.99	7.84	6.64
515-2758	1-1437083-0	64	R	0.114	9.50	8.29	7.01
515-2760	1-1437083-6	96	R	0.114	4.78	4.17	3.53

PC Card Edge Connectors

0.156, 0.125, and 0.100 Centered Card Edge



0.156 Dip Solder Double Readout Without Mounting Ears

Stock No.	Mfr.'s Type	No. of Contact Pairs	EACH		
			1-24	25-99	100-249
515-2762	1437267-7	10	2.53	2.21	1.87
515-2764	2-1437267-9	22	5.16	4.51	3.81
515-2766	3-1437267-6	28	4.93	4.30	3.64
515-2768	4-1437267-9	43	6.61	5.77	4.88

0.125 Dip Solder Double Readout, Flush Mount (0.125" Holes)

Stock No.	Mfr.'s Type	No. of Contact Pairs	EACH		
			1-24	25-99	100-249
515-2776	2-1437268-6	28	4.82	4.21	3.56

0.125 Dip Solder Double Readout Without Mounting Ears

Stock No.	Mfr.'s Type	No. of Contact Pairs	EACH		
			1-24	25-99	100-249
515-2778	1437268-7	10	2.32	2.02	1.71
515-2780	1-1437268-2	15	2.95	2.58	2.18
515-2781	2-1437268-5	28	4.48	3.91	3.31
515-2782	4-1437268-2	36	5.53	4.82	4.08
515-2784	5-1437268-6	50	7.14	6.28	5.27

0.125 Dip Solder Double Readout, 0.125" Mounting Holes

Stock No.	Mfr.'s Type	No. of Contact Pairs	EACH		
			1-24	25-99	100-249
515-2788	1437268-9	10	3.15	2.74	2.32
515-2790	3-1437268-3	28	6.16	5.38	4.55

0.156 Wire Wrap, 0.125" Mounting Holes, Double Readout

Stock No.	Mfr.'s Type	No. of Contact Pairs	EACH		
			1-24	25-99	100-249
515-2770	2-1437267-1	15	4.38	3.82	3.23
515-2772	3-1437267-2	22	5.67	4.95	4.19
515-2774	4-1437267-1	28	6.82	5.95	5.04

0.125 Dip Solder Double Readout, 0.125" Mounting Holes

Stock No.	Mfr.'s Type	No. of Contact Pairs	EACH		
			1-24	25-99	100-249
515-2786	2-1437268-3	28	4.27	3.73	3.15

0.100 Dip Solder Double Readout Without Mounting Ears

Stock No.	Mfr.'s Type	No. of Contact Pairs	EACH		
			1-24	25-99	100-249
515-2792	5-1437269-7	20	5.78	5.04	4.27
515-2794	6-1437269-2	22	3.42	2.99	2.53
515-2796	7-1437269-1	25	3.74	3.26	2.76
515-2798	8-1437269-7	30	4.25	3.71	3.14

0.100 Wire Wrap Double Readout, 0.125" Mounting Holes

Stock No.	Mfr.'s Type	No. of Contact Pairs	EACH		
			1-24	25-99	100-249
515-2802	6-1437269-8	22	4.72	4.12	3.48

Check Pricing And Availability Of All Items On The Internet At www.alliedelec.com

ALLIED ▶ 517

www.datasheet.com