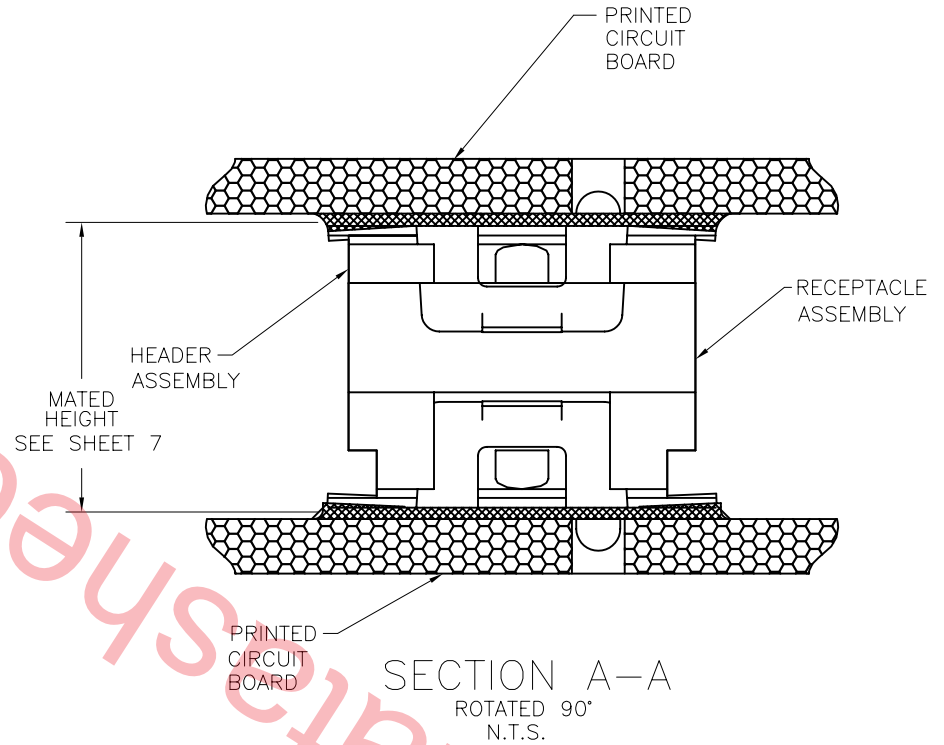
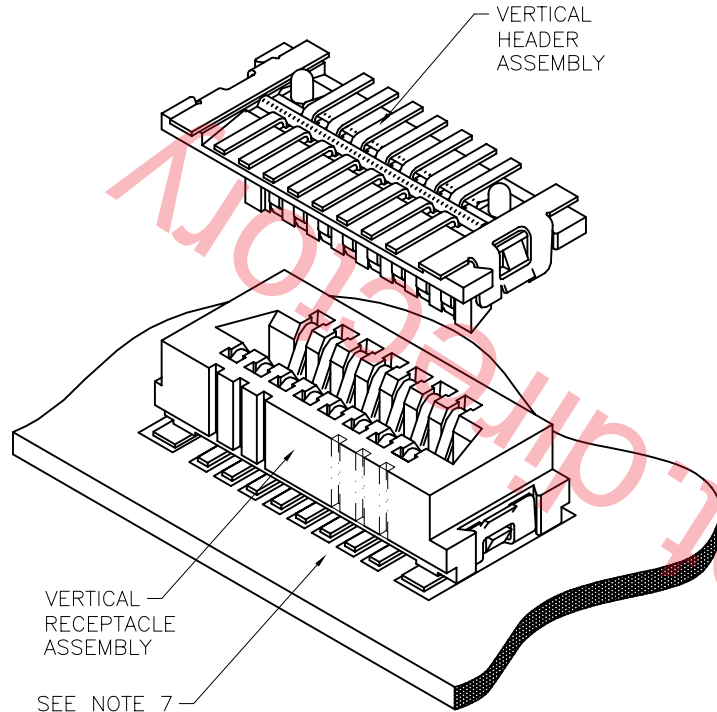


PRODUCT NUMBER
SEE TABLE



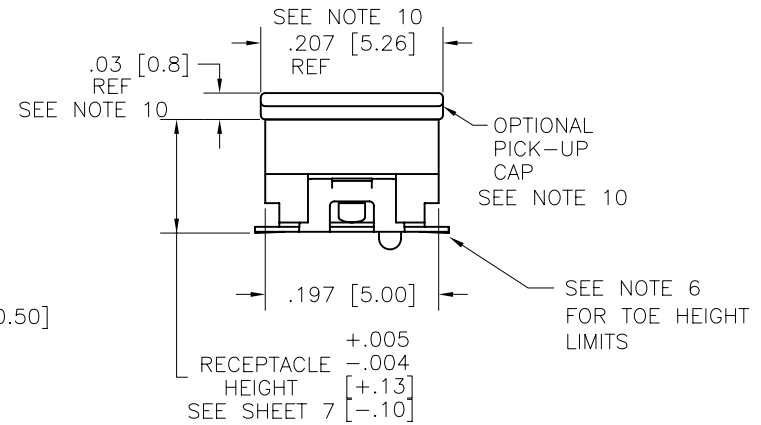
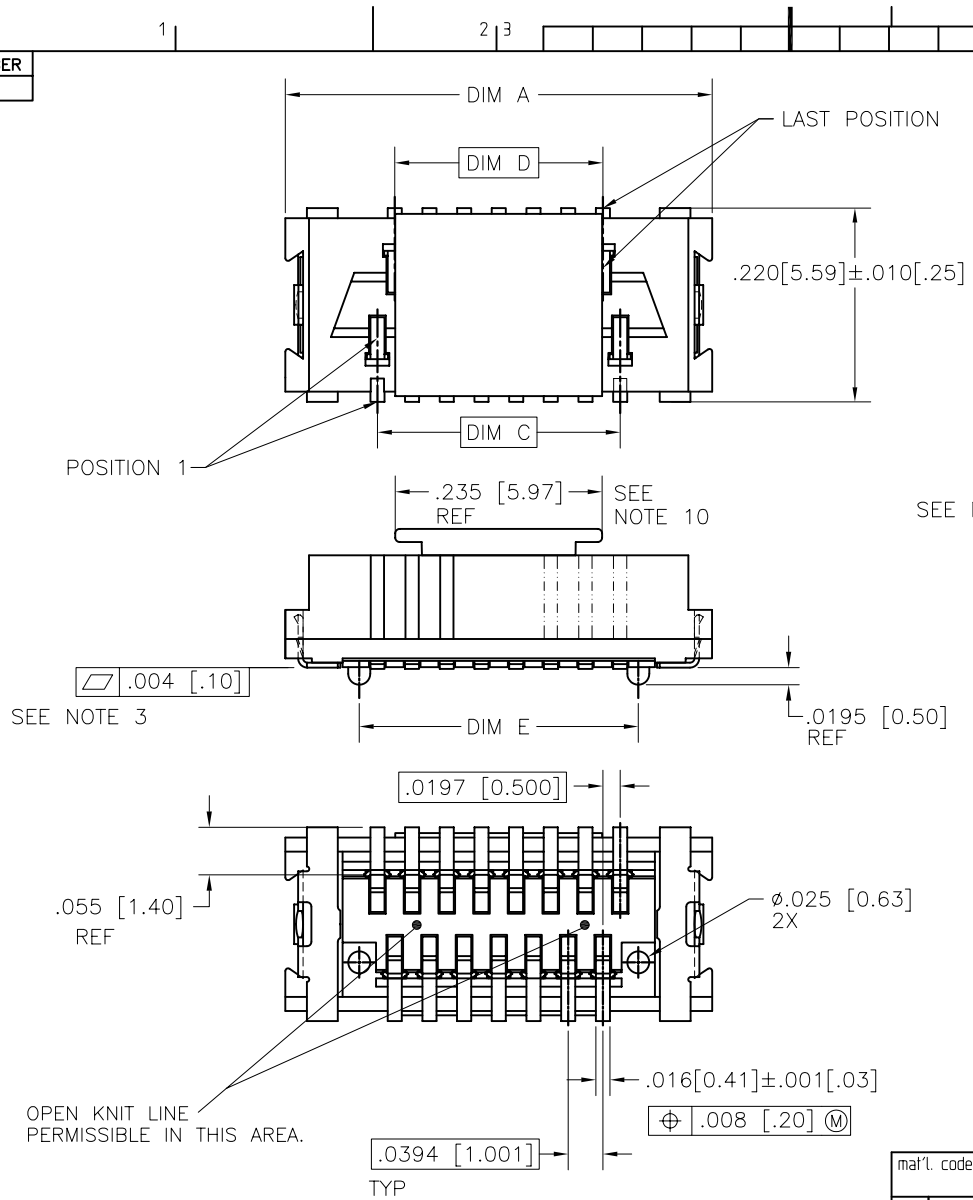
FCI
FCIconnect.com

Copyright FCI

mat'l. code		surface	tolerance	projection	product family
		ISO 1302	ISO 406 ISO 1101		CONAN
ltr	ec'n no	dr	date	title	
A	M08-0040	AGS	01/31/08	CONAN™ LEADED CONNECTOR	
tolerances unless otherwise specified				INCH/MM	dwg no
angles	linear			scale	sheet 1 of 7 size
				5:1	A3
dr	engr	chr	appd	FCI	
	A. GARCIA	C. MARTINEZ	C. MARTINEZ	10086244	
				Product Customer Drawing	
sheet	revision	A	A	A	A
index	sheet	1	2	3	4

form A3

PRODUCT NUMBER
SEE TABLE

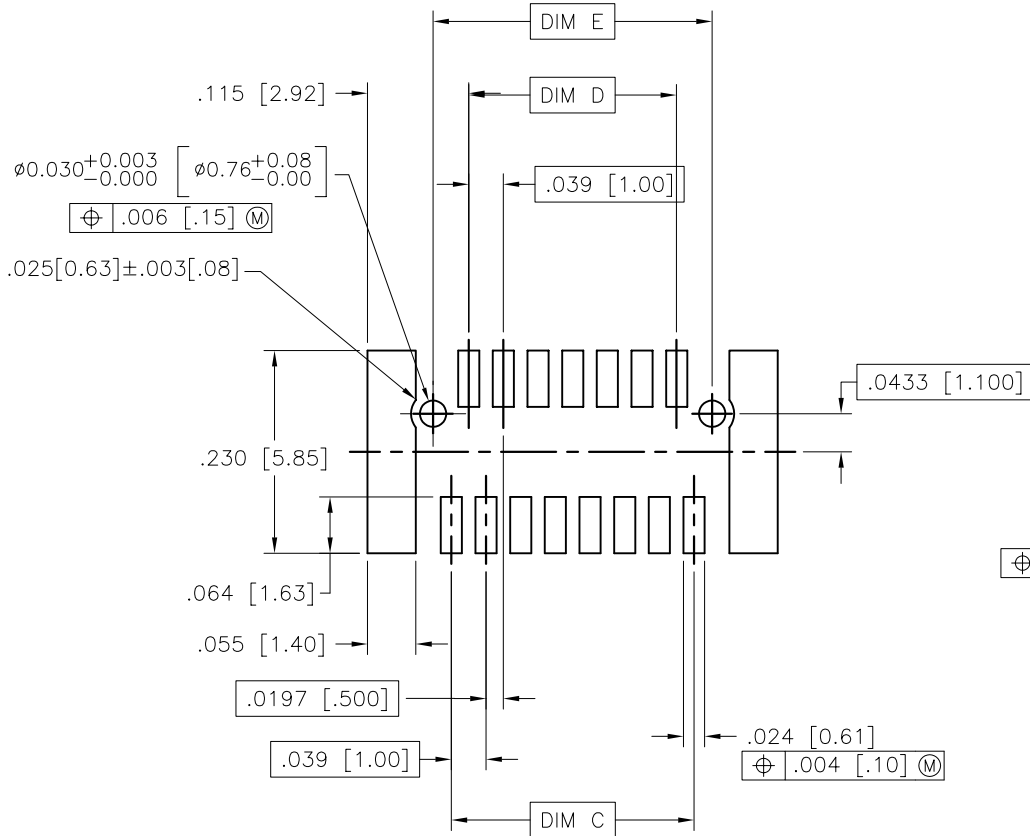


Copyright FCI

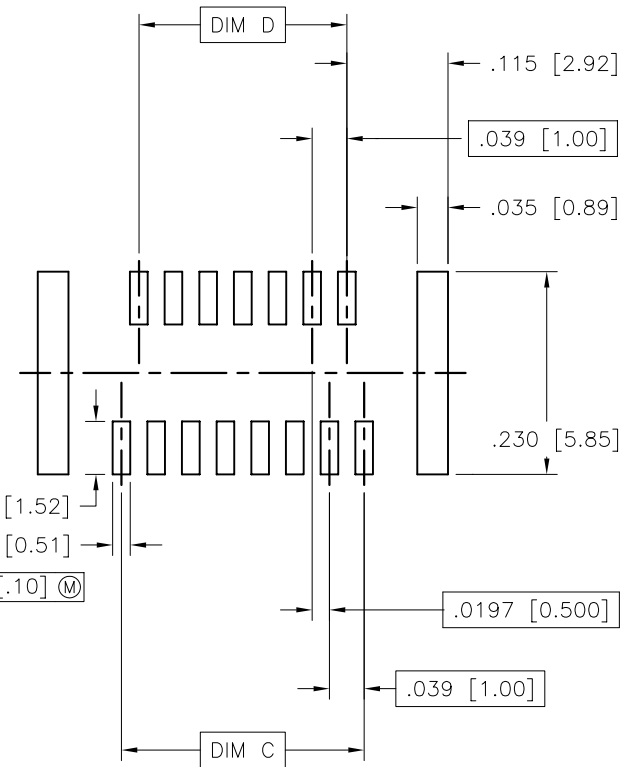
mat'l. code		surface ISO 1302	tolerance ISO 406 ISO 1101	projection INCH/MM	product family CONAN
ltr	ecn no	dr	date	title CONAN™ LEADED CONNECTOR	
A				scale 5:1	sheet 2 of 7 size A3
		angles	linear	dwg no 10086244	
		0°±2'	.xx±.01/0.3 .xxx±.005/0.13 .xxxx±.0020/0.051	type Product Customer Drawing	
		dr	A. GARCIA 01/31/08	FCI	
		enr	C.MARTINEZ 01/31/08		
		chr	C.MARTINEZ 01/31/08		
		appd	C.MARTINEZ 01/31/08		
sheet index	revision sheet				

form: A3

PRODUCT NUMBER
SEE TABLE



RECOMMENDED
PAD LAYOUT



RECOMMENDED
STENCIL LAYOUT
FOR RECEPTACLE

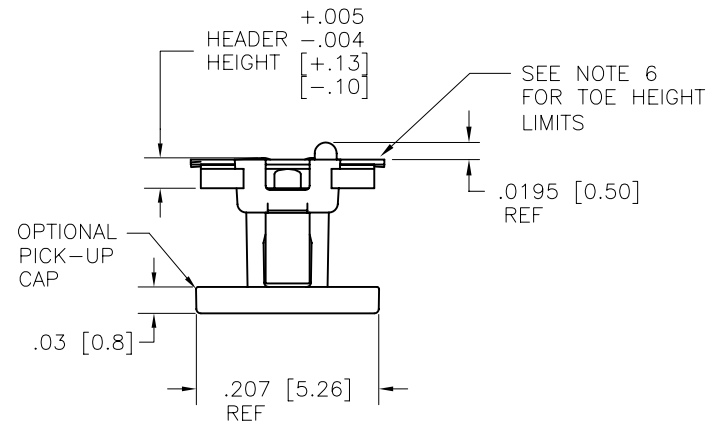
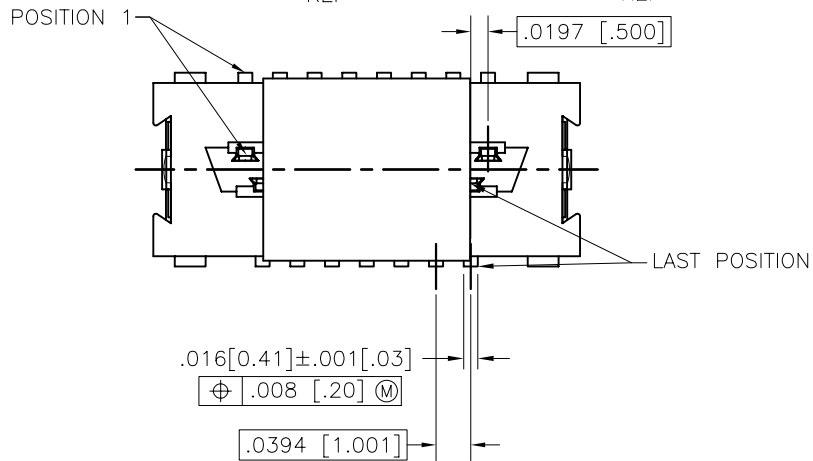
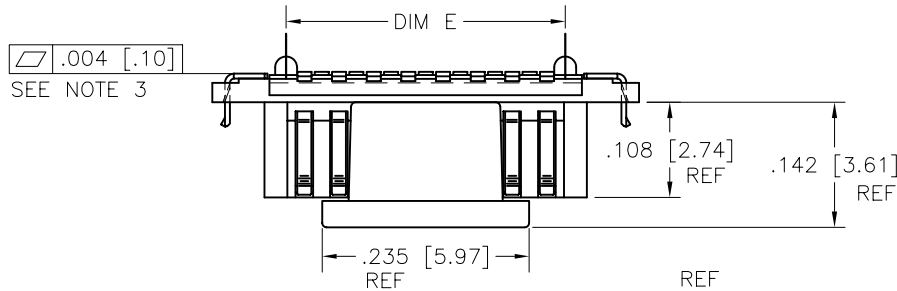
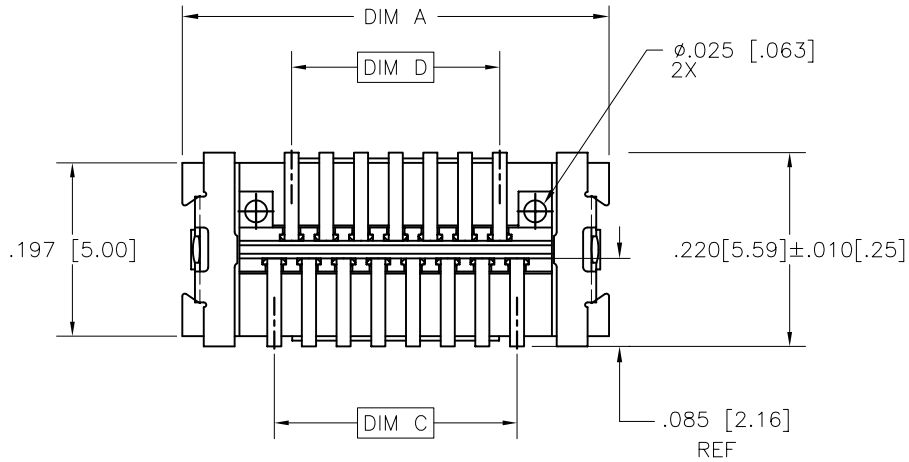


Copyright FCI

mat'l. code		surface ISO 1302		tolerance ISO 406 ISO 1101		projection INCH/MM		product family CONAN	
ltr	ecn no	dr	date	tolerances unless otherwise specified		INCH/MM		title CONAN™ LEADED CONNECTOR	
A				angles	linear	.xx±.01/0.3 .xxx±.005/0.13 .xxxx±.0020/0.051		scale 5:1	
				Q'±2'				dwg no 10086244	
				dr	A. GARCIA	01/31/08		sheet 3 of 7 size A3	
				enr	C.MARTINEZ	01/31/08		type Product Customer Drawing	
				chr	C.MARTINEZ	01/31/08			
				appd	C.MARTINEZ	01/31/08			
sheet index	revision sheet								

form A3

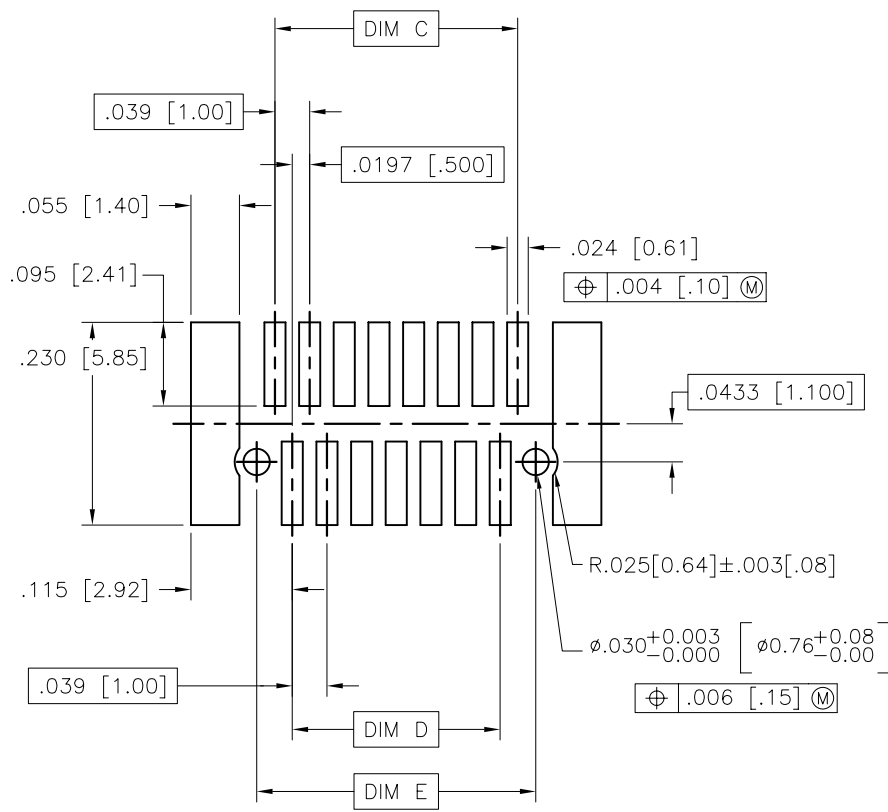
PRODUCT NUMBER
SEE TABLE



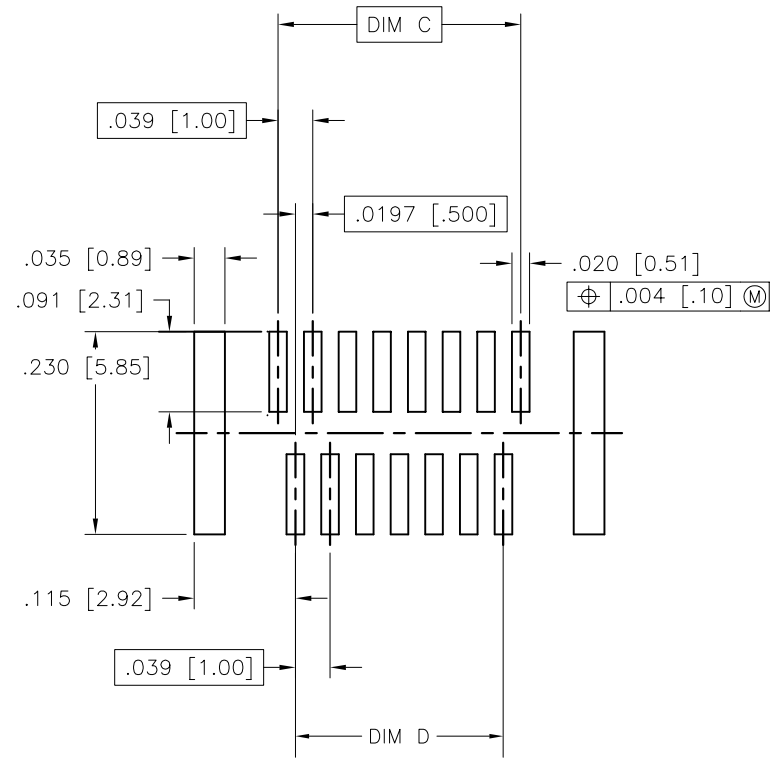
mat'l. code		surface ISO 1302		tolerance ISO 406 ISO 1101		projection		product family CONAN	
ltr	ecn no	dr	date	tolerances unless otherwise specified		INCH/MM		title CONAN™ LEADED CONNECTOR	
A				angles	linear	scale 5:1		dwg no 10086244	
				$0^\circ \pm 2'$				sheet 4 of 7 size A3	
				dr	A. GARCIA	01/31/08		type Product Customer Drawing	
				engr	C.MARTINEZ	01/31/08			
				chr	C.MARTINEZ	01/31/08			
				appd	C.MARTINEZ	01/31/08			
sheet index	revision sheet								

FCJ
FCconnect.com
Copyright FCJ

PRODUCT NUMBER
SEE TABLE



RECOMMENDED
PAD LAYOUT



RECOMMENDED
STENCIL LAYOUT
FOR HEADER



Copyright FCI

mat'l. code		surface ISO 1302		tolerance ISO 406 ISO 1101		projection INCH/MM		product family CONAN	
ltr	ecn no	dr	date	tolerances unless otherwise specified		INCH/MM		title CONAN™ LEADED CONNECTOR	
A				angles	linear	.xx±.01/0.3 .xxx±.005/0.13 .xxxx±.0020/0.051		scale 5:1	
				Q'±2'				dwg no 10086244	
				dr	A. GARCIA	01/31/08		sheet 5 of 7 size A3	
				engr	C.MARTINEZ	01/31/08		type Product Customer Drawing	
				chr	C.MARTINEZ	01/31/08			
				appd	C.MARTINEZ	01/31/08			
sheet index	revision sheet								

form: A3

PRODUCT NUMBER	POS	DIM "A"	DIM "C"	DIM "D"	DIM "E"
10086244-TCWXY09	9	.366 [9.30]	.157 [4.00]	.118 [3.00]	.1990 [5.055]
-WXY11	11	.406 [10.30]	.197 [5.00]	.157 [4.00]	.2380 [6.045]
-WXY15	15	.484 [12.30]	.276 [7.00]	.236 [6.00]	.3170 [8.052]
-WXY21	21	.602 [15.30]	.394 [10.00]	.354 [9.00]	.4350 [11.049]
-WXY25	25	.681 [17.30]	.472 [12.00]	.433 [11.00]	.5140 [13.056]
-WXY31	31	.800 [20.30]	.591 [15.00]	.551 [14.00]	.6320 [16.053]
-WXY41	41	.996 [25.30]	.787 [20.00]	.748 [19.00]	.8290 [21.057]
-WXY51	51	1.193 [30.30]	.984 [25.00]	.945 [24.00]	1.0260 [26.060]
-WXY69	69	1.547 [39.30]	1.339 [34.00]	1.299 [33.00]	1.3800 [35.052]

NOTES:

- MATERIALS:
 RECEPTACLE HOUSING - LCP, UL-94V-0. COLOR: NATURAL.
 RECEPTACLE TERMINALS - COPPER ALLOY, PLATED WITH 15u"/.38u GXT™ IN CONTACT AREA AND 100u"/2.54u SnPb ON SOLDER LEGS WITH AN OVERALL 50u"/1.27u Ni UNDERPLATE.
 HEADER HOUSING - LCP, UL-94V-0. COLOR: NATURAL.
 HEADER TERMINALS - COPPER ALLOY, PLATED WITH 15u"/.38u GXT™ IN CONTACT AREA AND 100u"/2.54u SnPb ON SOLDER LEGS WITH AN OVERALL 50u"/1.27u Ni UNDERPLATE.
 RETENTION DEVICE - BRASS, PLATED WITH 100u"/2.54u SnPb OVER NICKEL.
- REFERENCE GS-12-006 FOR PRODUCT PERFORMANCE DATA.
- SEE TA-774 FOR FURTHER DESCRIPTION OF HOW THIS DIMENSION IS APPLIED.
- PICK AND PLACE CAP OR TAPE IS ONLY AVAILABLE WITH OPTION 3 PACKAGING. (PSA ADHESIVE SEALED). ALSO, PSA PACKAGING REQUIRES A PICK AND PLACE CAP.
- RECOMMENDED SOLDER PASTE THICKNESS IS .006 TO .008 INCHES THICK.
- THE TOE HEIGHT OF THE SOLDER TAIL SHALL BE MEASURED FROM THE LOWEST POINT OF THE .004 CO-PLANARITY GRAVITY PLANE. THIS MEASUREMENT IS NOT TO EXCEED A WINDOW OF .000 TO .007 INCHES.
- THREE SLOTS MAY BE LOCATED AT EITHER END OF HOUSING.
- 5.50mm MATED HEIGHT IS ONLY AVAILABLE IN 9, 15 AND 31 POS.
- 7.50mm MATED HEIGHT IS ONLY AVAILABLE IN 9 POS.
- APPLIES TO 91921-3XYZZ AND 91931- 3XYZZ OPTIONS ONLY.
- THE HOUSING WILL WITHSTAND EXPOSURE TO 260°C PEAK TEMPERATURE FOR 30 SECONDS IN A CONVECTION INFRA RED OR VAPOR PHASE REFLOW OVEN. SEE APPLICATION/PROCEDURES IF THEY ARE AVAILABLE



Copyright FCI

mat'l. code		surface ISO 1302		tolerance ISO 406 ISO 1101		projection 		product family CONAN	
ltr	ecn no	dr	date	tolerances unless otherwise specified		INCH/MM		title TM CONAN LEADED CONNECTOR	
A				angles	linear	.xx±.01/0.3 .xxx±.005/0.13 .xxxx±.0020/0.051		scale 5:1	
				dr	A. GARCIA	01/31/08		dwg no 10086244	
				enr	C.MARTINEZ	01/31/08		sheet 6 of 7 size A3	
				chr	C.MARTINEZ	01/31/08		type Product Customer Drawing	
				appd	C.MARTINEZ	01/31/08			
sheet index	revision sheet								

PRODUCT NUMBER
SEE TABLE

CONAN ASSEMBLY PART NUMBER

10086244 -T C W X Y ZZ

TYPE	T
HEADER WITH NO PEGS	0
HEADER WITH PEGS	1
RECEPTACLE WITH NO PEGS	2
RECEPTACLE WITH PEGS	3

PICK AND PLACE CAP OR TAPE (NOTE 4)	C
WITHOUT CAP OR TAPE	0
WITH CAP	1
WITH TAPE (RECEPTACLE ONLY)	2

PACKAGING	W
TUBE	2
PRESSURE SEALED TAPE & REEL	3

NOTE 4

Y	HEADER HEIGHT	RECEPTACLE HEIGHT	MATED HEIGHT	+0.10 -0.008 [+.25] [-.20]
1	.034 [.86]	.129 [3.28]	.163 [4.15]	
2	.048 [1.23]	SEE Y=1 FOR ALL RECEPTACLES	.177 [4.50]	
3	.068 [1.73]		.197 [5.00]	
4	.107 [2.72]		.236 [6.00]	
5	.1465 [3.721]		.276 [7.00]	
* 6	.088 [2.23]		.216 [5.50]	
** 7	.1665 [4.229]		.296 [7.52]	

* NOTE 8
** NOTE 9

X	PLATING
1	15u"/.38u GXT™
2	30u"/.76u GXT™

ZZ	NUMBER OF POSITIONS
09	9
11	11
15	15
21	21
25	25
31	31
41	41
51	51
69	69

EXAMPLE: 91921-31125
IS A CONAN RECEPTACLE ASSEMBLY,
HAVING NO PEGS AND WITH A PICK AND PLACE CAP.
IT ALSO HAS GXT™ PLATING, IS .13 [3.2] HIGH AND 25
POSITIONS AND IS PACKAGED IN PRESSURE SEALED TAPE,
REEL.



Copyright FCI

mat'l. code		surface ISO 1302		tolerance ISO 406 ISO 1101		projection 		product family CONAN	
ltr	ecn no	dr	date	tolerances unless otherwise specified		INCH/MM		title CONAN™ LEADED CONNECTOR	
A				angles	linear	.xx±.01/0.3 .xxx±.005/0.13 .xxxx±.0020/0.051		dwg no 10086244	
				0°±2'		scale 5:1		sheet 7 of 7 size A3	
				dr	A. GARCIA	01/31/08		type Product Customer Drawing	
				enr	C.MARTINEZ	01/31/08			
				chr	C.MARTINEZ	01/31/08			
				appd	C.MARTINEZ	01/31/08			
sheet index	revision sheet								