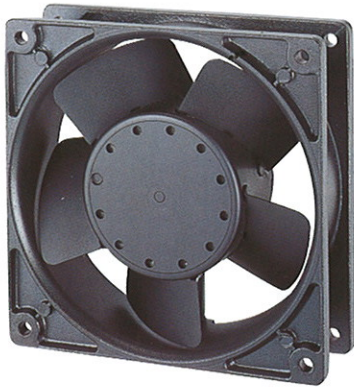




## AC 4E/4E Laser welding



**SIZE :**

119x119x38mm (4.69"x4.69"x1.50")

**CONSTRUCTION :**

- Die-cast aluminum housing
- Metal impeller
- Shaded pole motor
- Impedance protected
- Leader wire or Terminal is available

**OPERATING TEMPERATURE :**

Ball bearing - 30°C to +75°C

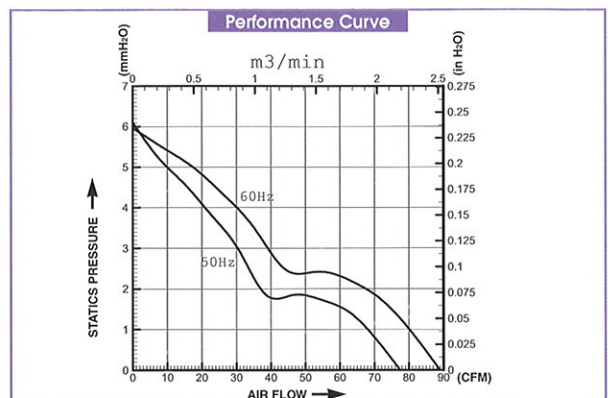
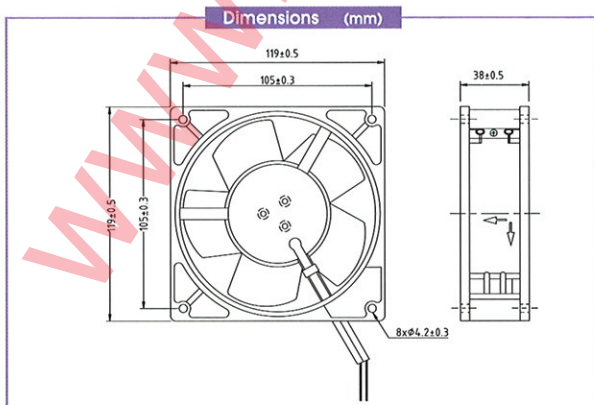
Sleeve bearing - 10°C to +70°C

**WEIGHT :**

600 grams *Specifications are subject to change without notice*

### Specifications

MODEL NO.	BEARING	RATED VOLTAGE	FREQUENCY	MAX. RATED CURRENT	MAX. INPUT POWER	SPEED	MAX. AIR FLOW		MAX. AIR PRESSURE		NOISE
		VAC	Hz	mA	W	R.P.M.	m <sup>3</sup> /min	CFM	mmH <sub>2</sub> O	IN H <sub>2</sub> O	
4E-115B-17	Ball	115	50/60	210/200	21/19	1600/1700	1.5/1.7	52.3/58.4	2.4/2.7	0.1/0.1	25/30
4E-115S-17	Sleeve										
4E-230B-17	Ball	230	50/60	120/110	19/18	1600/1700	1.5/1.7	52.3/58.4	2.4/2.7	0.1/0.1	25/30
4E-230S-17	Sleeve										
4E-115B-21	Ball	115	50/60	230/220	22/20	1800/2100	1.7/1.8	60/65	5.2/6.1	0.2/0.2	36/38
4E-115S-21	Sleeve										
4E-230B-21	Ball	230	50/60	130/120	20/19	1800/2100	1.7/1.8	60/65	5.2/6.1	0.2/0.2	36/38
4E-230S-21	Sleeve										
4E-115B-25	Ball	115	50/60	240/230	23/21	2250/2500	2.0/2.2	70/78	6.5/7.3	0.3/0.3	38/42
4E-230B-25	Ball										
4E-230S-25	Sleeve	230	50/60	130/120	21/20	2250/2500	2.0/2.2	70/78	6.5/7.3	0.3/0.3	38/42
4E-240B-25	Ball										
4E-115HB	Ball	115	50/60	250/240	24/22	2650/3000	2.2/2.5	77.5/89	6.0/6.0	0.24/0.24	42/46
4E-115HS	Sleeve										
4E-230HB	Ball	230	50/60	140/130	22/21	2650/3000	2.2/2.5	77.5/89	6.0/6.0	0.24/0.24	42/46
4E-230HS	Sleeve										
4E-DVB	Ball	115/230	50/60	250/130	21/22	2650/3000	2.2/2.5	77.5/89	6.0/6.0	0.24/0.24	42/46
4E-DVS	Sleeve										
4E-DVB-1	Ball	100/200	50/60	200/120	20/24	2500/2800	2.1/2.3	73/81	5.3/5.0	0.2/0.2	37/41
	Sleeve										



# Mouser Electronics

Authorized Distributor

Click to View Pricing, Inventory, Delivery & Lifecycle Information:

## Bi-Sonic:

[4E-115B W-G/ROHS](#) [4E-115B-17 W-G/ROHS](#) [4E-115B-21 T-G/ROHS](#) [4E-115B-25 T-G/ROHS](#) [4E-115B-25 W-G/ROHS](#) [4E-115S W-G/ROHS](#) [4E-230B T-G/ROHS](#) [4E-115B-17 T-G/ROHS](#) [4E-115B 21-02](#) [4E-115S-21-02](#) [4E-230B-21-02](#) [4E-230S-21-02](#) [4E-115HB 02](#) [4E-115HS-02](#) [4E-230HB-02](#) [4E-230HS-02](#) [4E-230B-25 T-G](#)