

1TW1 SERIES
CHART 1

M
DRAWING NUMBER
1814
ISSUE
1816

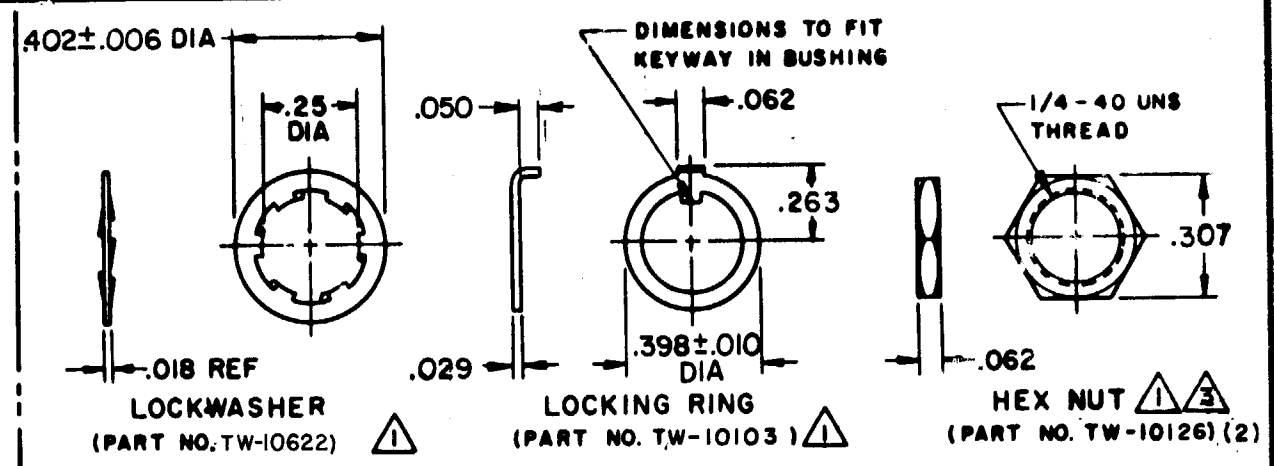
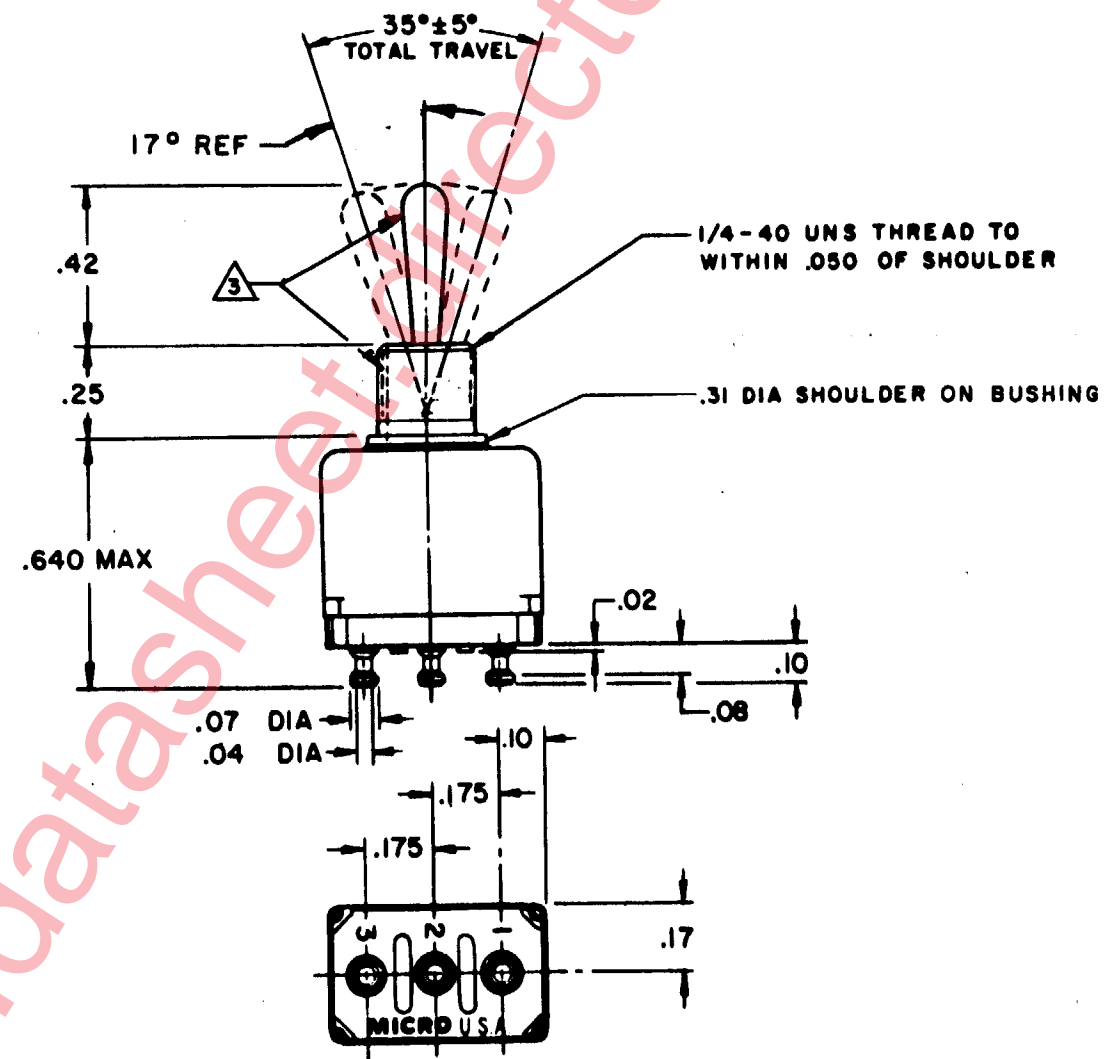
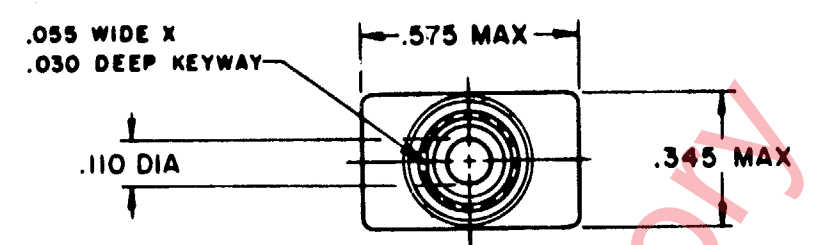
REVISIONS
A C057003
TSK
3 FEB 86
B C059236
JAP
27 MAR 86
C C062939
TSK
24 FEB 88
D C077554
MAM
9 FEB 94

FO-92851-B
DRAWN
TSK
3 FEB 86
CHECK
GJH
6 FEB 86
CHECK
GJH

MICRO SWITCH
FREEDPORT, ILLINOIS, U.S.A.
A DIVISION OF HONEYWELL
FED. MFG. CODE 91929

SWITCH-TOGGLE

CATALOG LISTING
1TW1 SERIES
CHART 1



CATALOG LISTING	CIRCUIT WITH TOGGLE IN			MS NO.
	ONE EXTREME POSITION (KEYWAY) 2-1	CENTER POSITION	OTHER EXTREME POSITION (OPPOSITE KEYWAY) 2-3	
1TW1-1	ON	OFF	ON	MS27716-21-1
1TW1-2	OFF	NONE	ON	MS27716-22-1
★ 1TW1-3	ON	NONE	ON	MS27716-23-1
1TW1-5	MOM ON	OFF	ON	MS27716-31-1
★ 1TW1-7	MOM ON	OFF	MOM ON	MS27716-27-1
1TW1-8	MOM ON	NONE	ON	MS27716-26-1
1TW1-82	ON	NONE	MOM ON	

NOTES
 1 FURNISHED UNASSEMBLED
 2 - TERMINALS ARE PLATED FOR SOLDERING
 3 MATTE FINISH

THIS DRAWING COVERS A PROPRIETARY ITEM AND IS THE PROPERTY OF MICRO SWITCH, A DIVISION OF HONEYWELL. THIS DRAWING IS NOT TO BE COPIED OR USED WITHOUT THE APPROVAL OF MICRO SWITCH.

CHARACTERISTICS	ELECTRICAL DATA
	CONTACT ARRANGEMENT
	L117
	5A 125 VAC
	MS

SCALE 2:1
DO NOT SCALE PRINT
TOLERANCES
APPLY TO DESIGN UNITS. CONVERSIONS ARE ONLY FOR REFERENCE. UNLESS NOTED, TOLERANCES ARE ±

DIM.	TOL.	DIM.	TOL.
mm	mm/in	in	mm/in
NO PLACES	X	1/04	X XX
ONE PLACE	X,X	0.4/016	X XX
TWO PLACES	X,XX	0.15/006	X XXX
THREE PLACES	X,XXX		X XXX

DESIGN UNITS SI METRIC US CUSTOMARY
 THIRD ANGLE PROJECTION
 WEIGHT .015 LB MAX